



## AMSCO® FLEXMATIC® SCRUB STATION

### APPLICATION

The AmSCO Flexmatic Scrub Station is used for preoperative surgical scrubbing of hands and arms. Water temperature is automatically maintained by a thermostatically controlled mixing valve. Options include an infra-red water sensor, which detects when hands are under the faucet and turns water on and off automatically, or a digital timer, which displays time elapsed from start of water flow.

### DESCRIPTION

The AmSCO Flexmatic Scrub Station is of all stainless-steel construction. It consists of a washing compartment, controls, and mounting devices. The Flexmatic is available with either one, two, or three scrub stations (as specified). STERIS furnishes all components necessary to obtain a complete working unit, ready for (but not including) installation and connection to building utility service lines. Installation may be purchased separately.

### FEATURES

**Washing compartment** is continuous even if a multiple-station unit is specified. Each station of the washing compartment includes a centrally located gooseneck spout assembly.

The spout assembly with rose spray head provides carefully controlled water-spray coverage. The rose spray head is removable for cleaning. The bottom of the compartment is formed to reduce splashing and to flush soil away from the user. The underside of the compartment is sound-deadened.

The compartment, including backsplash, is welded 16 gauge stainless steel with matte finish. It is 19-1/4" (489 mm) deep x 10-1/2" (267 mm) high with covered inside corners. The width is 29, 61 or 93" (737, 1549 or 2362 mm) depending on number of stations selected. The backsplash extends the full width of the unit.



Single Station with Infra-Red Sensor shown.  
(Typical only - some details may vary.)

Each station (except unit with infra-red sensor) has one **knee-operated control** to start and stop water flow. Pressing then releasing the knee panel labeled WATER opens a water valve. Closing the water valve is accomplished by again pressing then releasing the knee panel.

**Thermostatically controlled mixing valve** provides selection of water temperature up to 115°F (46°C) at each station. The mixing valve quickly compensates for temperature fluctuations induced by water temperature and pressure changes. If the water temperature rises above 115°F (46°C), an anti-scald feature automatically shuts off the flow of hot water. The mixing valve also features heavy, cast-brass construction, and chromium plated operating handle.

**Mounting brackets** are furnished for securing the station to a wall.

### The Selections Checked Below Apply To This Equipment

#### STATION SIZES - W x D x H

- One Station - 32 x 27-9/32 x 51-1/2"
- Two Station - 64 x 27-9/32 x 51-1/2"
- Three Station - 96 x 27-9/32 x 51-1/2"

#### OPTIONS

- Infra-Red Water Control Sensor
- Digital Timer on Backsplash

#### ACCESSORIES

- Soap Dispenser - Quantity \_\_\_\_\_
- Divider Screen - Quantity \_\_\_\_\_
- Chair Carrier
  - for use with Single Sink
  - for use with Double Sink
  - for use with Triple Sink

Item \_\_\_\_\_ 6894

Location(s) \_\_\_\_\_

SD240 (08/01/08)

## STANDARDS

- **FDA Good Manufacturing Practices Regulations 21CFR820**, for Medical Devices,
- **Underwriters Laboratories (UL) Standard 61010-1, 2nd Edition: 2004**, as certified by ETL Testing Laboratories, Inc.
- **Standard CSA-C22.2, No. 61010-1: 2004, Issued: 2004/07/12, 2nd Edition**, as certified by ETL Testing Laboratories, Inc.

## CONSTRUCTION

Plumbing hardware includes chromium-plated brass strainer with gasket, tailpiece, and nut. The plumbing and mounting brackets are concealed by 18 gauge stainless-steel skirt assembly. Exposed surfaces are phosphatized, scaled, and powder painted with a durable corrosion-resistant textured finish. Each application is oven baked.

The washing compartment is also constructed of 16 gauge stainless steel; exposed surfaces are glass beaded to a matte finish.

Stainless steel conforms with ASTM Specification A167 for type 302 and 304.

## OPTIONAL FEATURES

**Infra-Red Sensor.** Sensor can be provided to turn water on and off automatically when hands are under the faucet.

**Digital Timer.** Each station can be equipped with a timer that begins timing when water flow starts. Timer continues to run until the water flow stops. Several seconds after stopping, the display automatically switches off.

**Knee Operated Internal Soap Dispenser** (field upgradeable). Each time the knee panel labeled SOAP is pressed then released, approximately 2 cc of soap is pumped out of the soap dispenser spout. A shelf is provided under the washing compartment for a 1-gallon (3.78-liter) container of soap. These knee panels can be either opened or removed when components under washing compartment have to be serviced.

## ACCESSORIES

**Foot operated soap dispenser** can be mounted directly to the wall above each station, allowing for easy access to change out the container when empty. Each dispenser comes with a one quart container of Bactoshield® Surgical Hand Scrub which screws directly to the dispenser. Each time the foot pedal is pressed, approximately 1.5 – 2 cc of detergent is pumped out of the soap dispenser spout. A special air intake feature prevents dripping after use. The unique valving prevents air from the foot pedal from coming in contact with the soap.

**Divider Screen** (constructed of Plexiglas®) is available to divide two- and three-station units for reducing splash and aerosol contamination between adjacent stations. One screen is recommended for a two-station unit, and two screens for a three-station unit.<sup>1</sup>

**Chair Carrier** supports the hanging weight of a scrub sink if the wall is not properly reinforced.

## PREVENTIVE MAINTENANCE

A global network of skilled service specialists can provide periodic inspections and adjustments to help ensure low-cost peak performance. STERIS representatives can provide information regarding annual maintenance agreements.

## ENGINEERING DATA

Shipping Weight:

- » One station – 175 lbs (80 kg)
- » Two stations – 295 lbs (134 kg)
- » Three stations – 420 lbs (191 kg)

## NOTES

1. Pipe sizes shown indicate terminal outlets only. Building service lines (not provided by STERIS) must supply the specified pressures and flow rates.
2. If the wall is not properly reinforced to support the hanging weight of a scrub sink, STERIS recommends the use of chair carriers to ensure proper sink support.

## UTILITY REQUIREMENTS

### Cold Water

1/2" NPT; 20-50 psig (138-345 kPa) dynamic.

### Hot Water

1/2" NPT; 120-140°F (49-60°C),  
20-50 psig (138-345 kPa) static.

### Drain

1-1/2" OD.

### Electricity

(if optional timer or sensor)

120 V, 60 Hz, 1 Amp, grounded per station.

**CUSTOMER IS RESPONSIBLE FOR COMPLIANCE WITH APPLICABLE LOCAL AND NATIONAL CODES AND REGULATIONS.**

**STERIS Corporation,  
Montgomery, Alabama is an  
ISO 13485 certified facility.**

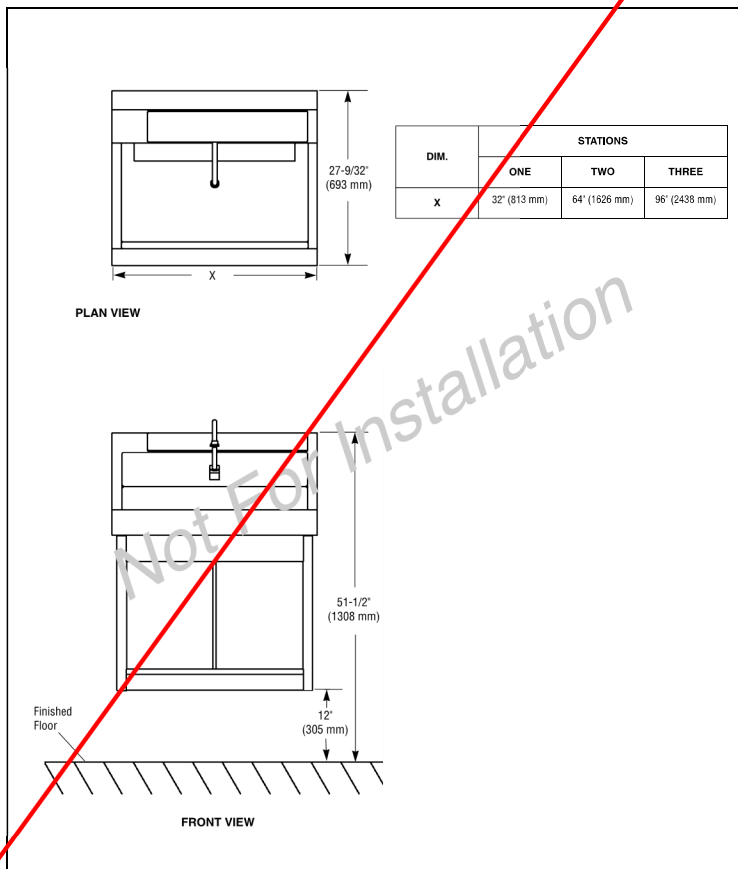
**The base language of this document is  
ENGLISH. Any translations must be made  
from the base language document.**

6894

<sup>1</sup>.Plexiglas is a registered trademark of Altuglas International

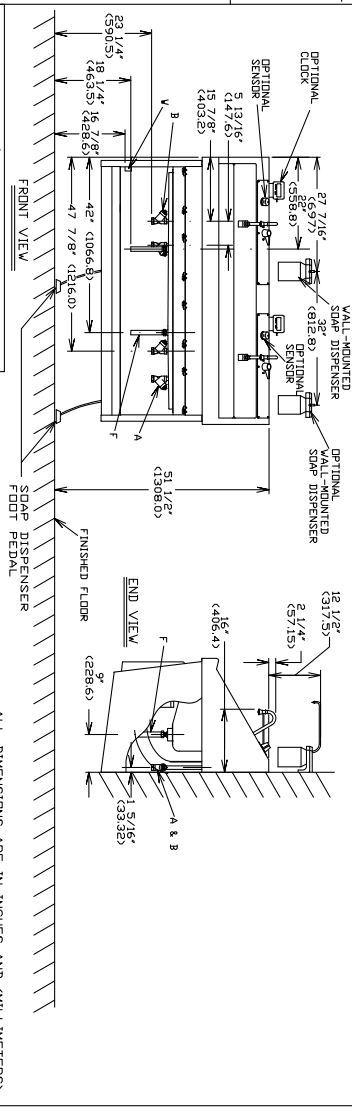
Reference the following equipment drawings for installation details.

Equip. Dwg. No.	Equipment Drawing Title
65109-000	Single Flexmatic



6894

REV	71655-000	1	REV 2	QUANTITY	PART NUMBER	ITEM	PART NAME	DESCRIPTION MATERIAL	REV	DATE
					71655-000	1	EQUIP. DWG.	DOUBLE FLEXMATIC	512-	03



DATE	1998	BY	JAS	CHECKED	
NO.	101	REV.	1	DATE	08/24/98
NO.	102	REV.	2	DATE	04/08/00
NO.	103	REV.	3	DATE	09/14/03
NO.	104	REV.	4	DATE	06/04/06
NO.	105	REV.	5	DATE	12/03/08
NO.	106	REV.	6	DATE	08/24/11

**STERIS** STERIS Corporation  
 36360 Central Expressway  
 Fremont, CA 94538  
 (925) 706-7000  
 www.steris.com

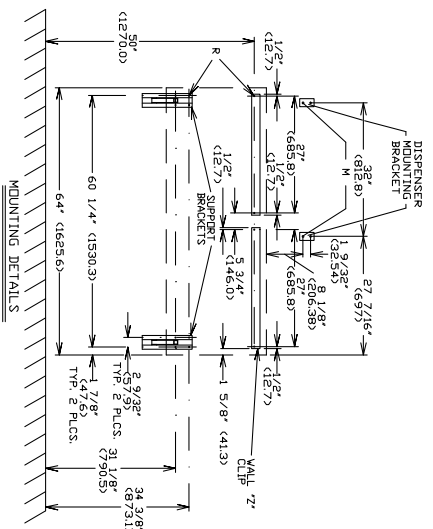
TITLE: EQUIP. DWG.  
 DOUBLE FLEXMATIC  
 FIRST MADE FOR: 71655-000

REV: 1

ALL DIMENSIONS ARE IN INCHES AND (MILLIMETERS)

REV.	DATE	DESCRIPTION	BY	CHKD
1	7/16/55	71655-000	2	2
2	8/1/55	2	2	2

QUANTITY	PART NUMBER	PART NAME	DESCRIPTION MATERIAL	REV	QTY
1	71655-000	EQUIP. DWG.	DOUBLE FLEXMATIC	5112-03-03	



- A - 1/2" NPT FEMALE COLD WATER TERMINAL - 20 TO 50 PSIG.
  - B - 1/2" NPT FEMALE HOT WATER TERMINAL - 120" - 140" TO 50 PSIG.
  - M - 1/4" DIA. HOLES IN WALL (BY OTHERS). 4 REQ'D.
  - F - 1 1/2" O.D. WASTE TERMINAL TAIL PIECE.
  - R - 9/32" DIA. MOUNTING HOLES. FASTENERS BY OTHERS. 12 REQ'D.
  - W - KNOCKOUT FOR 1/2" CONDUIT (BY OTHERS) IN JUNCTION BOX SIDE.
- POWER REQUIREMENTS: 120 VOLT, 60 CYCLE, SINGLE PHASE  
0.5 AMPS AND GROUND (REQ'D. FOR CLOCK AND SENSOR OPTIONS).
- NOTE: STERIS RECOMMENDS THE USE OF CHAIR CARRIERS.
- WEIGHT OF UNIT - 280 LBS. (127.0 KG.)  
WEIGHT OF UNIT W/SENSOR - 285 LBS. (129.5 KG.)  
WEIGHT OF UNIT W/CLOCK - 285 LBS. (129.5 KG.)
- NOTE: ALSO REFER TO GENERAL NOTES 62947
- FOR SEISMIC MOUNTING INFORMATION:  
- SEE DWG. 083280-312 FOR WALL MOUNT.  
- SEE DWG. 083280-367 FOR CHAIR CARRIER.

TOLERANCE STANDARD: FRACTIONAL +/-1/64 DECIMAL +/-0.05  
UNLESS OTHERWISE NOTED ANGULARITY +/-1° MACH SURF. 12.5

STERIS Corporation  
Head Office: 2700 Judd Road  
Ann Arbor, MI 48106-1500  
Tel: 734-769-2000  
Fax: 734-769-2001  
www.steris.com

TITLE

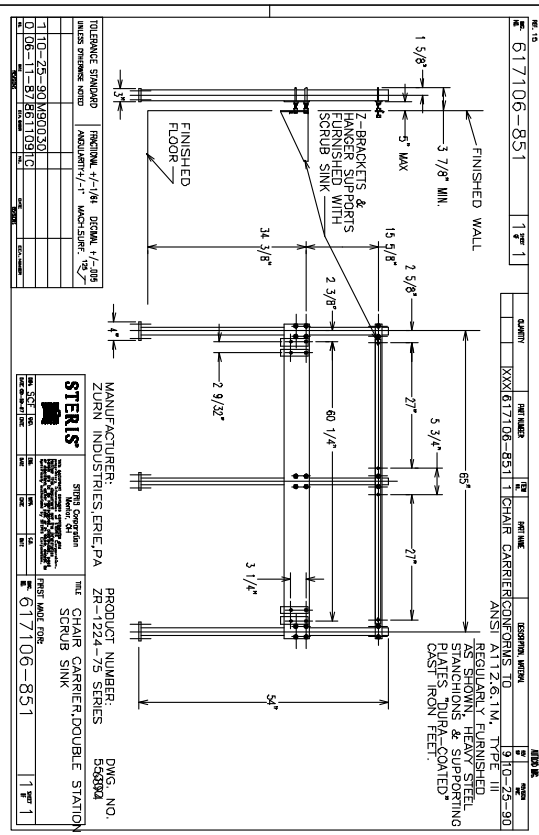
**EQUIP. DWG.**  
**DOUBLE FLEXMATIC**

6894

FIRST MADE FOR

71655-000

REVISIONS & REVISED ON 03-11-98 BY JAS



NO. 15	617106-851	1 1/4" 1
QUANTITY	XXXX 617106-851 1	CHAIR CARRIER CONFORMING TO ANSI
PART NUMBER	617106-851	CHAIR CARRIER CONFORMING TO ANSI
DESCRIPTION	REQUIRE HEAVY FINISHED STEEL STANCHIONS & SUPPORTING COLUMNS. FINISHED WITH POLYURETHANE COATING.	

TO FINISH STAIRWELL	FINISHING 1/4" MIN. STAIN 1/4" MIN.	MANUFACTURER:	PRODUCT NUMBER:	DWG. NO.
FINISHING 1/4" MIN. STAIN 1/4" MIN.	MANUFACTURER:	ZURN INDUSTRIES ERIE, PA.	ZB-1224-75 SERIES	550892
FINISHING 1/4" MIN. STAIN 1/4" MIN.	MANUFACTURER:	ZURN INDUSTRIES ERIE, PA.	CHAIR CARRIER, DOUBLE STATION	
FINISHING 1/4" MIN. STAIN 1/4" MIN.	MANUFACTURER:	ZURN INDUSTRIES ERIE, PA.	SCRUB SINK	
FINISHING 1/4" MIN. STAIN 1/4" MIN.	MANUFACTURER:	ZURN INDUSTRIES ERIE, PA.	617106-851	1 1/4" 1

**STERIS**  
 STERILIZATION SYSTEMS  
 1375 EASTMAN AVE.  
 BLOOMINGTON, IL 61820  
 TEL: 312-221-2000  
 FAX: 312-221-2001  
 WWW.STERIS.COM

MANUFACTURER:  
 ZURN INDUSTRIES ERIE, PA.

PRODUCT NUMBER:  
 ZB-1224-75 SERIES

DWG. NO.  
 550892

CHAIR CARRIER, DOUBLE STATION

SCRUB SINK

617106-851

1 1/4" 1