

APPLICATION

For loading and unloading 16x16x26" (406x406x660 mm), 20x20x38" (508x508x965 mm) sterilizers or 24x28-1/2x38" (610x711x965 mm) aerators, and for transferring goods to and from processing areas.

ACCESSORIES

Loading Car and Carriage

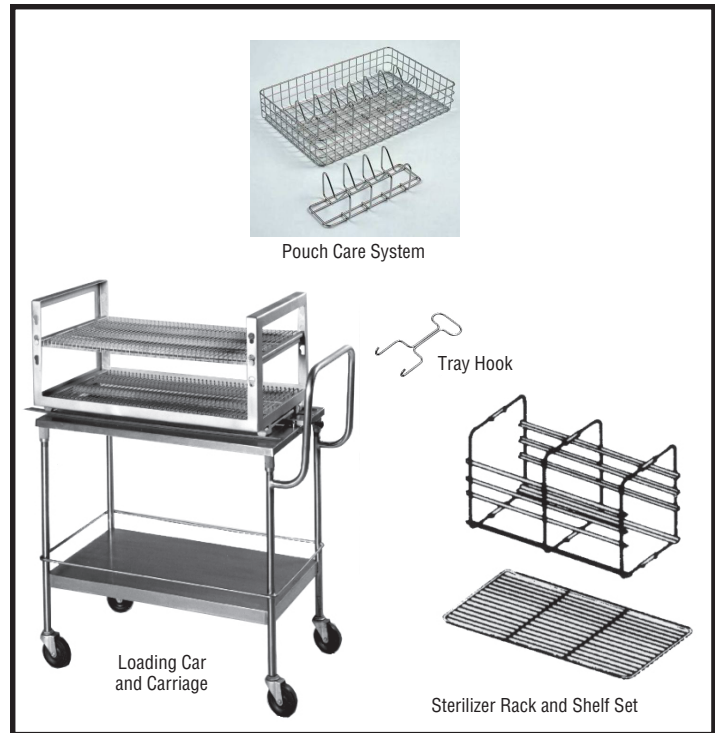
Loading Car is a welded, corrosion-resistant framework with removable shelves of corrosion-resistant welded sheet metal and wire. Upper shelf is adjustable to three heights. Car axles turn on Teflon bearings impregnated with glass. Wheels are flanged brass. Chamber track assemblies are welded, corrosion resistant metal tracks and cross braces.

Carriage is constructed of welded stainless steel with four swivel casters and neoprene wheels. Carriage includes loading car tracks, height-adjustable to align with tracks in sterilizer or aerator chamber. Bottom of carriage has a stainless steel shelf with guard rails. Shelf and rails reinforce the carriage legs.

Carriage is held to the sterilizer or aerator door frame by a hand-operated latch. Loading car is secured to the carriage by a spring-loaded latch. Latches are operated from the handle-end of the carriage.

Due to differences in door frame design, the style of transfer carriage used must match the type of sterilizer.

- Amsco Century and Lab Series sterilizers use an exclusive style of transfer carriage. This style is not compatible with Amsco Eagle 3000 Series Sterilizers, Remanufactured Sterilizers or Aerators.



(Typical only – some details may vary.)

- Amsco Eagle 3000 and Remanufactured Sterilizers and Aerators use a single style of transfer carriage. This style is not compatible with Amsco Century Series sterilizers.

NOTE: A separate conversion kit can be purchased to convert Amsco Eagle 3000 and Remanufactured style carriages for use with Amsco Century Series sterilizers.

The Selections Checked Below Apply To This Equipment

STERILIZER

- Eagle 3000 (includes Remanufactured units)
- Century Series or Lab Series

DOOR CONFIGURATION

- Single Door Double Door

CHAMBER SIZE

- 16x16x26" (110 L) 20x20x38" (250 L)
 (406x406x660mm) (508x508x965 mm)

AERATOR

(24x28-1/2x38" [610x711x965 mm]
 Chamber, Loading Car and Carriage only)

LOADING CAR AND CARRIAGE

(20x20x38" [508x508x965 mm]
 Chamber Sterilizers only)

- Loading Car
- Loading Car w/Bottom Shelf and One Adjustable Shelf w/Brackets*
- Transfer Carriage
- Chamber Track Assembly
- Loading Car, Carriage and Track Assembly

CHAMBER SHELF SETS

- Rack and Two Shelves
- Rack and Three Shelves†
- Intermediate Shelf‡
- Bottom Shelf*

* Amsco Eagle or Remanufactured Sterilizers only.

† Amsco Remanufactured Sterilizers only.

‡ Amsco Century and Lab Sterilizers only.

POUCHCARE™

For Use in 20x20" (508x508 mm), and larger sterilizers

- PouchCare with Divider - Small, 14x11x4" (356x279x102 mm)
- PouchCare with Divider - Large, 22x14x4" (559x356x102 mm)
- PouchCare with Divider - Extra Large, 22x14x8" (559x356x203 mm)
- PouchCare w/o Divider - Small, 14x11x14" (356x279x102 mm)
- PouchCare w/o Divider - Large, 22x14x4" (559x356x102 mm)
- PouchCare w/o Divider - Extra Large, 22x14x8" (559x356x203 mm)
- PouchCare (Divider only) - Small, 13" (330 mm)
- PouchCare (Divider only) - Large, 21" (533 mm)

Item _____

Location(s) _____

Shelf Sets (Amsco Sterilizers Only)

Provide loading efficiency for a variety of mixed or single item loads. Shelves are completely removable to allow for processing bulk loads.

Rack with Two or Three Full Length Shelves is constructed of corrosion resistant metal. Angle guides support the shelves. Racks are provided with stops, allowing each shelf to be withdrawn approximately halfway without tipping under load weight. Each shelf is suitably reinforced and designed to allow free passage of sterilant.

Intermediate Shelf (Amsco Century and Lab Sterilizers only) slides into upper and middle positions of chamber rack. Sterilizer is provided with one intermediate shelf when shipped from the factory.

Bottom Shelf (Amsco Eagle 3000 and Remanufactured Sterilizers only) includes a frame, supports and cross braces of corrosion resistant wire rod. Supports keep the rack off the chamber floor.

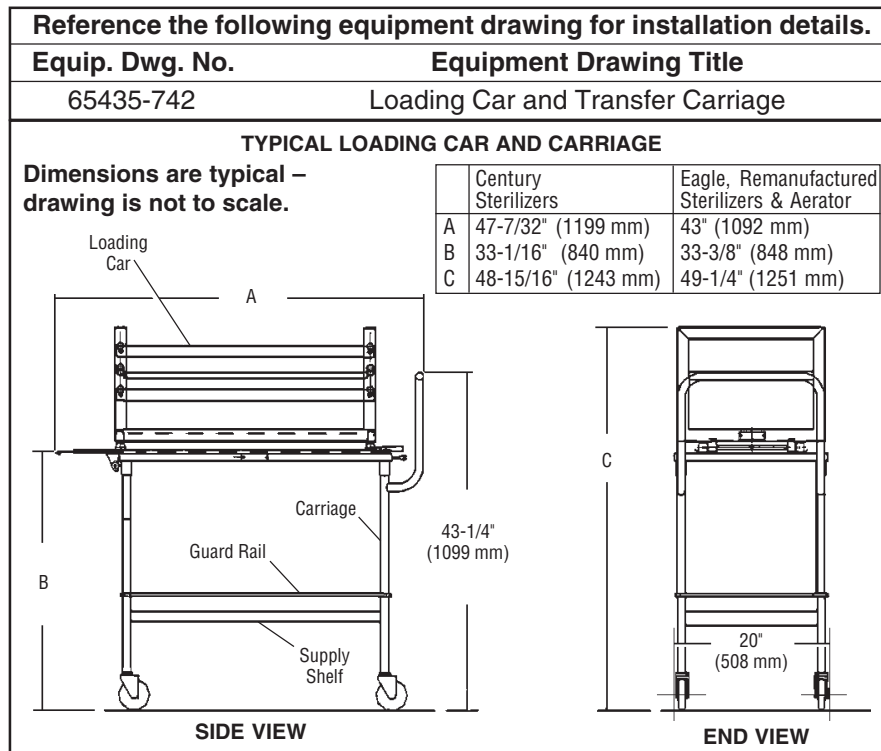
PouchCare™

NOTE: PouchCare baskets are not for use in sonic cleaning devices.

PouchCare System is a complete line of baskets and dividers designed to aid proper sterilization and easy transfer and storage of peel pouches and small packs. Correct PouchCare positioning keeps pouches separate during sterilization to prevent condensate build-up.

PouchCare baskets and dividers are constructed of stainless steel with a mesh design for maximum steam penetration. Baskets are designed for interlocked stacking to simplify loading and storage.

PouchCare is available in a variety of basket sizes, with and without dividers, to accommodate various pouch sizes and to fit all sterilizer loading cars. Separate dividers are also available.



For further information, please contact:



STERIS Corporation
 5960 Heisley Road
 Mentor, OH 44060-1834 • USA
 440-354-2600 • 800-548-4873
 In Canada, 800-661-3937
 www.STERIS.com