

**total gym**

**Dedication to Quality**

We warrant this product to be free from all defects in material and workmanship when used according to the manufacturer's instructions. See Limited Warranty Card for details.

Save your sales receipt.  
(You may wish to staple it into this manual.)

# total gym<sup>®</sup> GOLD PLUS

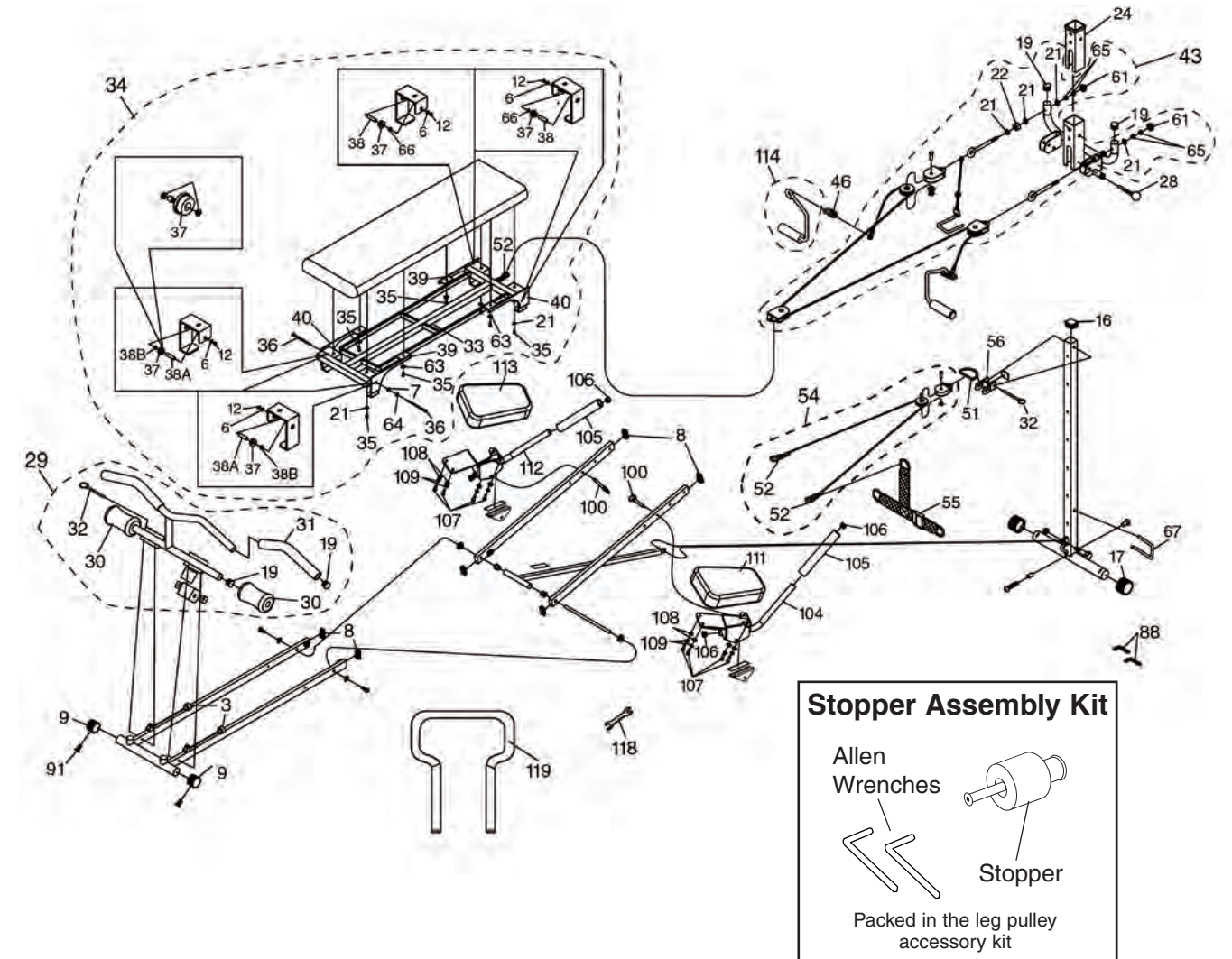
## OWNER'S MANUAL



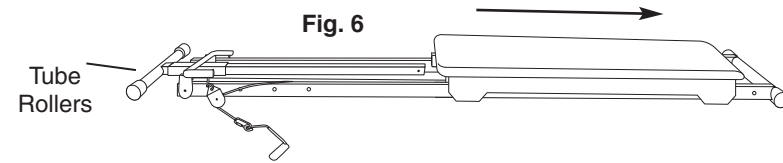
©2012 Total Gym Fitness, LLC. All rights reserved.  
Total Gym<sup>®</sup> is a registered trademark. U.S. Patents #D405,132 and #5,967,955.  
No part of this booklet may be reproduced or utilized in any form, by any means, electronic, mechanical or otherwise, without the express written consent of the copyright holder.

# TOTAL GYM® GOLD PLUS – PARTS LIST & EXPLODED VIEW

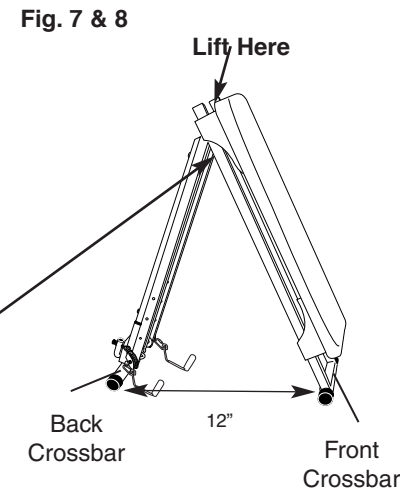
ITEM #	PART #	DESCRIPTION	QTY.	ITEM #	PART #	DESCRIPTION	QTY.	ITEM #	PART #	DESCRIPTION	QTY.
3	0100060	Rubber Stopper	2	38B	0100240	Small Spacer Tube	2	108	0100025	M8.5 x 16mm x 1.5t Washer	8
6	0100001	M8.5 x 19mm x 1.5t Washer	4	39	0700032	Left Fender	2	109	0100341	M6 x 11mm x 1.5t Spring Washer	8
7	0100002	M8.5 x 14mm x 1.8t Spring Washer	4	40	0700033	Right Fender	2	111	900025	Left Ab Board	1
8	0100141	Rectangle Tube Cap	6	43	0600029	Cable Kit	1	112	TGUB04	Right Handle w/Grip & Cap	1
9	0100359	Round End Cap	2	46	0100229	Handle Link	2	113	900026	Right Ab Board	1
12	0100004	M8 Nylon Nut	4	51	0100230	D - Ring	1	114	0400109	Handle Assembly	2
16	0100143	Square Tube Cap	1	52	0100231	Clip	3	118	0100343	10mm & 13mm Hex Wrench	1
17	0100144	Tube Roller	2	54	0700034	Rope Assembly w/Pulley Assembly	1	119	900027	Pilates/Flexibility Bar	1
19	0100145	Round Tube Cap	6	55	0700035	Harness	1	0100237	Stopper Assembly Kit	1	
21	0100222	M7 x 14mm x 1.2t Washer	10	56	0100232	Bracket w/ Foam Pad & Sticker	1	0700036	Leg Pulley Accessory Kit	1	
22	0100213	Plastic Bushing	2	61	0100327	M6 Nut Cap	2	TGUB02	Ab Crunch Board Kit	1	
24	0100223	Adjustment Sleeve	1	63	0100336	M7 x 19mm x 1.2t Washer	4	TGUB05	Literature Pack	1	
28	0100346	Spring Loaded Pin	1	64	0100035	M8.5 x 25mm x 2t Washer	4	TGUB06	Owner's Manual	1	
29	0400117	Wing Attachment Assembly	1	65	0100008	M6 Nylon Nut	4	TGUB09	Exercise Book	1	
30	0700030	Foam Pad	2	66	0100236	M8 x 10mm x 2t Washer	2	NG	Nutrition Guide	1	
31	0700031	Grip	2	67	0100235	C-Pin	1	TGWC	Wall Chart	1	
32	0100075	M8 x 80mm Hitch Pin	3	88	0100122	5mm Allen Wrench	2	TGBSCD	TG Basic Ab Crunch & Lower Body Workouts DVD	1	
34	TGUB01	Glideboard Assembly	1	91	0100062	M4 x 12mm Phillips Screw	2	800107	6 to 8 Minute Workout/ Smart Training DVD	1	
35	100373	M6 x 13mm Hex Bolt	8	100	0100326	M8 x 60mm Hitch Pin	2	TGPROS-3	Progressive Series DVD 3-Pack	1	
36	0100058	M8 x 92mm Hex Bolt	4	104	TGUB03	Left Handle w/Grip & Cap	1				
37	0100052A	Wheel	4	105	0700046	Foam Grip	2				
38	0100238	Top Spacer Tube	2	106	0100339	Round Tube Cap	4				
38A	0100239	Bottom Spacer Tube	2	107	0100340	M6 x 20mm Hex Bolt	8				



- Slide the Glideboard towards the bottom of unit as shown in Figure 6.



- With caution, to avoid pinched fingers or hands, grab the top of the Glideboard and slowly pull the unit up allowing the Tube Rollers to bring the back of the unit towards the center. Keep approximately 12" apart.
- Continue to fold the exerciser together until it is completely folded and roll the exerciser into a closet for storage. To store under a bed, simply lower the exerciser to the floor and roll under the bed. Do not store unit in upright position when folded.



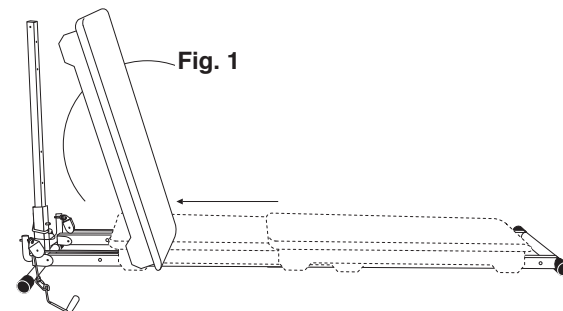
**⚠ WARNING**  
CRUSH HAZARD, KEEP HANDS CLEAR DURING FOLDING.

## TO REMOVE THE GLIDEBOARD

You can also remove the Glideboard if you need to fit the exerciser under a narrow space (between 6" and 8").

**IMPORTANT:** The Glideboard weighs approximately 15 lbs. Use caution when lifting it off of the exerciser. Lifting incorrectly may result in user injury.

- With unit laying flat on the floor, disconnect the Pulley from the hook on the underside of the Glideboard.
- Tilt up the Glideboard and slide it off the Rails. When the Glideboard is completely off, set it aside (see Fig. 1).
- Pull the Spring Loaded Pin to release the Rail and fold the unit together as shown above in Figure 7 & 8. Be sure you release the Spring Loaded Pin before folding.



## Congratulations on purchasing your new Total Gym® Gold Plus exerciser.

With this product in your home, you have everything you need to start your own workout program, to tone and strengthen the important muscle groups of your upper and lower body. This is vital for all of us, regardless of age, sex, or fitness level, and regardless of whether your primary goal is body sculpting, weight loss, health maintenance, or more energy for daily activities.

Strength training not only tones and conditions the muscles we use every day to stand, walk, lift, and turn; it can actually transform our body composition. By reducing body fat and increasing the proportion of lean muscle in our bodies, strength training can effectively turn up our metabolic thermostat, so that we burn calories all the time, no matter what we're doing.

It's easy - all you have to do is spend 15 to 20 minutes a day, 3 to 4 days per week on your Total Gym® exerciser to start realizing the benefits.

Be sure to read through this Owner's Manual carefully. **It is the authoritative source of information about your Total Gym® Gold Plus exerciser.**

**If you have questions about your Total Gym® Gold Plus exerciser, please call Customer Service at 1-800-303-7896, Monday through Friday, 8:30am to 5:00pm, EST.**

## ORDERING REPLACEMENT PARTS

When ordering parts, please contact our Parts Department, toll free at 1-800-303-7896 Monday through Friday, 8:30am to 5:00pm, EST.

**IMPORTANT: You must have your serial number and this manual ready when calling for parts.**

Serial #: \_\_\_\_\_

**Please also provide the following information:**

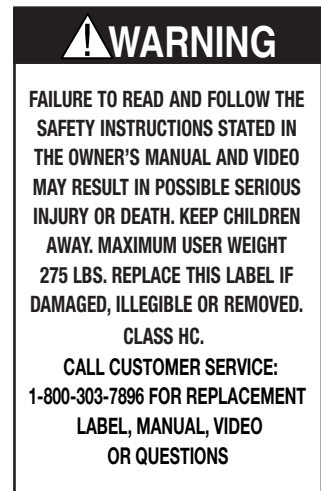
- Name, Mailing Address and Telephone Number
- Date of Purchase
- Where Product was Purchased (Name of Retail Store, City)
- Model Number
- Part Order Number and Description

## TABLE OF CONTENTS

Safety Instructions & Warnings	2
Product Specifications	3
Set Up	4-5
Accessories	6-9
Starting Out	10
Inspection, Maintenance & Storage	11-12
Parts List & Exploded View	Inside Back Cover

## EQUIPMENT WARNING/CAUTION LABELS - See page 3 for placement of the following warning/caution labels on your unit.

### WARNING LABEL 1



### WARNING LABEL 2



### WARNING LABEL 3

(3 locations)



### WARNING LABEL 4

(for Leg Pulley Bracket)



### WARNING LABEL 5

(4 locations)



### CAUTION LABEL 1

(for Wing Attachment)

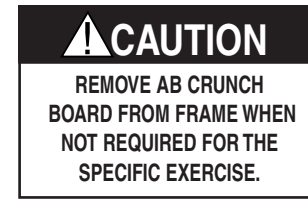


### CAUTION LABEL 2



### CAUTION LABEL 3

(Located on Ab Crunch Boards)



## SAFETY INSTRUCTIONS

Before beginning this or any exercise program, consult a physician or health professional, who can assist you in planning a program appropriate for your age and physical condition. This is especially important if you are over age 35 or have pre-existing health problems.

**Do not overexert yourself.** Stop exercising immediately and consult your doctor if you experience pain or tightness in your chest, irregular heart beat, shortness of breath, or if you feel faint, nauseous, or dizzy.

**This product is designed for home use only.** It is not intended for commercial or institutional use. Use only as instructed. **Do not stand on the product.**

**The Total Gym® exerciser is not intended for use by children.** Keep this and all fitness equipment out of the reach of children.

**Keep fingers, loose clothing, and hair away from moving parts.**

**Inspect your exerciser before each use to ensure proper operation.** Do not use this equipment unless all moving parts, including cables and pulleys are working properly. See pages 11 & 12 for details on Inspection, Maintenance and Storage.

**The exerciser should only be used on a mat or carpeted surface to prevent unexpected movement of the unit.**

**Use only the accessory items recommended by the manufacturer.**

**To avoid serious injury,** care should be taken at all times when **getting on and off** this or any exercise equipment.

## INSPECTION, MAINTENANCE & STORAGE

### INSPECT YOUR TOTAL GYM® GOLD PLUS EXERCISER PRIOR TO EACH USE

Before using your exerciser for your workout session, be sure to make the following inspection:

- Make sure the equipment is fully opened and sitting on a solid, level surface with plenty of clearance on all sides. Unit should be used on a mat or on carpeted surfaces only.
- Make sure all the Pins are securely in place and locked into position.
- Check that the Pulley is attached securely to the loop on the top underside of the Glideboard.
- Check that the Cable is traveling correctly in the groove of each Pulley.
- Make sure the Cable is securely fastened to each Handle.
- Check that the Wing Attachment or other accessories are installed correctly when in use.
- Make sure the Glideboard is gliding smoothly along the Rails.

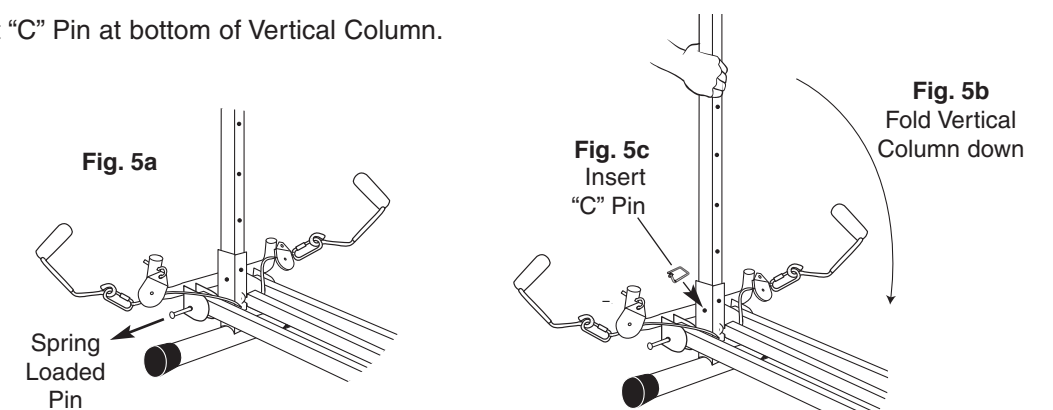
### ROUTINE MAINTENANCE

- Wipe down your Total Gym® exerciser on a regular basis using a clean cloth and alcohol or alcohol-based products like Windex® or 409®. Do not leave towels or workout clothing laying or hanging on the equipment.
- Periodically check the following parts for signs of fraying or other wear: the Cable, Pulleys, Wheels, Glideboard, accessories and Rails. If the Cable, Pulleys, Rails or Wheels need replaced – do not use your unit, wait until the part is replaced. If any other part than the ones listed above needs to be replaced, do not use that part until it is replaced.
- Never use a lubricant such as WD-40® or ArmorAll® to lubricate or clean the unit. Use only 3-in-1® oil or machine oil to lubricate the axles of the wheel or pulley, not the roller surface.

### TO STORE YOUR TOTAL GYM® GOLD PLUS EXERCISER

Follow these easy steps to store your exerciser properly:

1. Remove all accessories and attachments.
2. Be sure the Pulley is attached to the underside of the Glideboard for folding.
3. Remove “C” Pin located at the bottom of the Vertical Column.
4. Position one foot on Back Crossbar to keep the unit from lifting off the floor. With one hand on the Rail, grasp the “C” Pin with Lanyard and pull it out from the Vertical Column. Slowly lower the Rails until they rest on the Back Crossbar.
5.
  - a. Pull outward on Spring Loaded Pin.
  - b. Fold Vertical Column down towards the center of the unit.
  - c. Then insert “C” Pin at bottom of Vertical Column.



## STARTING OUT

Wear athletic shoes and comfortable light clothing when exercising on the Total Gym® Gold Plus exerciser. Do not exercise barefoot. Check your exerciser before using to ensure that all the parts are in place and working properly (see pages 11 & 12 for details on Inspection, Maintenance and Storage).

Adult supervision is required at all times.

**NOTE: The Rails and Glideboard can be raised to any desired level on the Vertical Column depending upon your degree of fitness. Please note, however, that the Rails cannot be raised to the highest position on the Vertical Column when the Leg Pulley Bracket is attached to the column. Be sure you have plenty of free space around the exerciser so that performing on the Total Gym® exerciser, as well as getting on and off, is convenient and safe.**

Each time you raise or lower the Height Adjustment Assembly, be sure you hold it to keep it from dropping to the floor.

Begin using the product at a low incline. As your fitness level progresses, increase the incline to increase the intensity and improve your muscle strength. Don't be in a hurry to exercise at a high intensity level; start out easily and build gradually. The Total Gym® exerciser is as easy as 1-2-3 to use, so read on.

### 1. Important Things to Remember When Using the Total Gym® exerciser

- Always have control of the Glideboard before getting on and off the exerciser.
- Keep your feet on the floor when getting on and off the exerciser. Only remove them from the floor for the duration of the exercise.
- If you are using the Handles, hold onto them as you get on and off the Glideboard.

### 2. Exercising with the Handles Only

Grasp the Handles which are attached to the Cable Assembly and slide the Glideboard to a position in which you can comfortably sit or lay down when performing the desired exercise (see your *Exercise Book*). Be sure to keep your feet on the floor until you are in the correct position for the specific exercise. Then, if the exercise calls for your feet to be off the floor, place your feet as specified in the instructions.

### 3. Exercising with the Wing Attachment Only

Slide the Glideboard to a position in which you can comfortably sit or lay down on when performing the desired exercise (see your *Exercise Book*). Keep your feet on the ground until you are in the correct position and feel comfortable. Then, place your feet in the proper position and begin to exercise.

When starting your exercise program, begin with the basic exercises shown in the *Exercise Book* included with your Total Gym® exerciser to familiarize yourself with the movements. Use the lowest incline level to start with—you can work up to a higher incline level in the weeks and months to come.

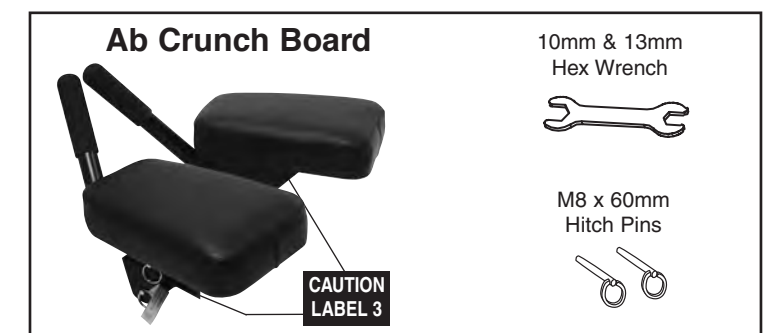
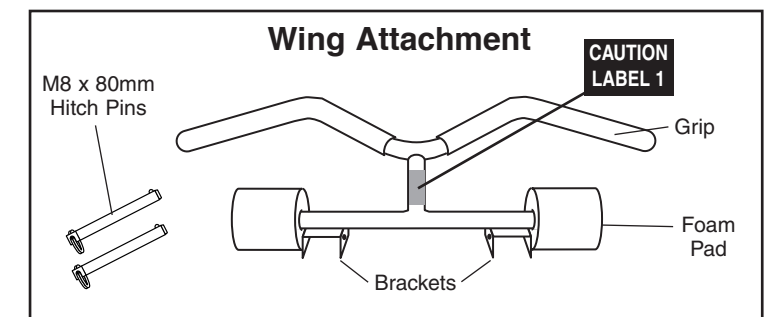
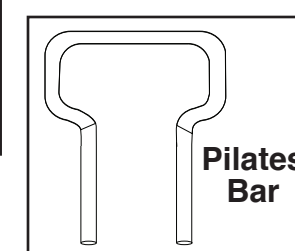
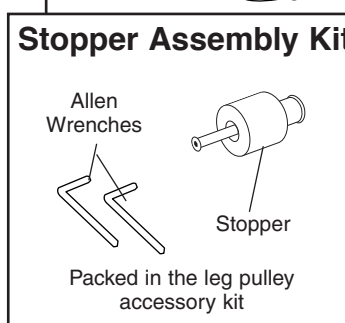
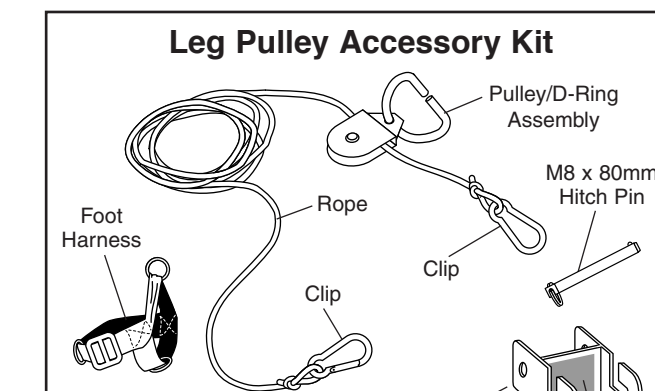
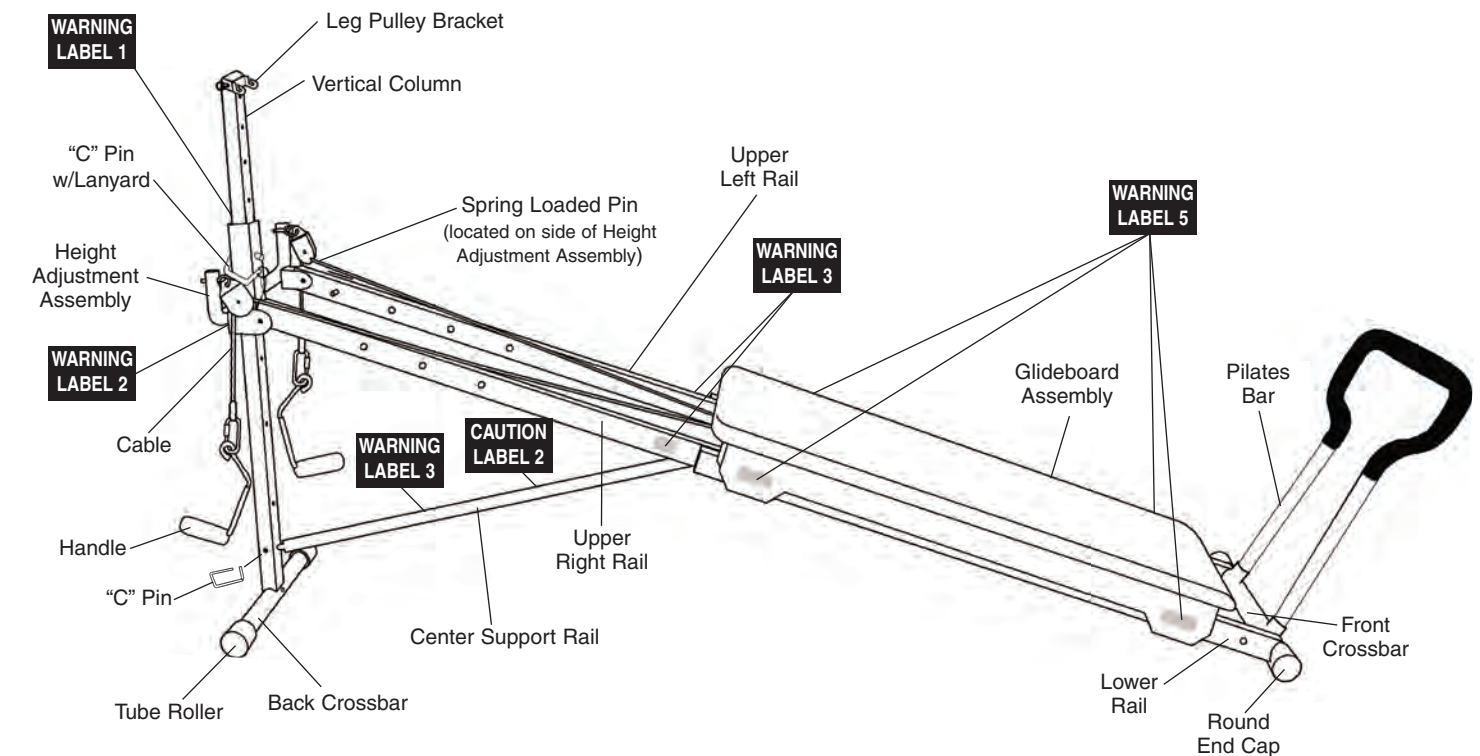
**For the specific Total Gym® Gold Plus exercises and programs, study and follow the instructions in the *Exercise Book* included with your product.**

## PRODUCT SPECIFICATIONS

**LENGTH:** folded 51"  
in use 91.5"  
**HEIGHT:** folded 9.5"  
in use 44.25"

**WIDTH:** 16"  
**WEIGHT:** 61 lbs.  
**MAXIMUM USER WEIGHT:** 275 lbs.

**Includes  
Workout  
DVDs**



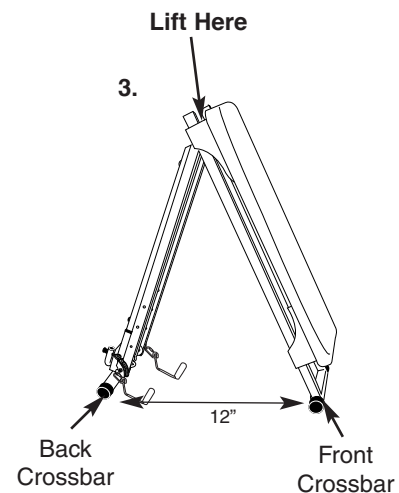
## SET UP

### Your product comes with:

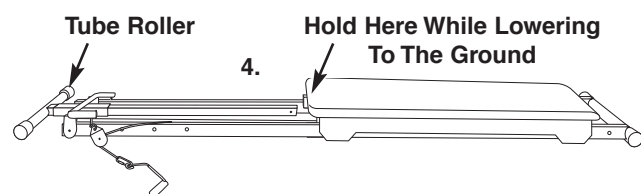
- “C” Pin located at the bottom of the Vertical Column, which must be removed prior to unfolding.
  - “C” Pin with Lanyard that is attached to the Height Adjustment Assembly Bracket.
  - One Spring Loaded Pin locked into the left side of the Height Adjustment Assembly. Left side is determined by standing behind the unit facing the Vertical Column.
- IMPORTANT: To Prevent Injury** – Be sure the Spring Loaded Pin is locked securely into place in the Left Rail before using unit. This will prevent the Vertical Column from falling forward.
- One M8 x 80mm Hitch Pin for Leg Pulley Bracket is located in the Leg Pulley Accessory Kit as well as two M8 x 80mm Hitch Pins for the Wing Attachment and two M8 x 60mm Hitch Pins for the Ab Crunch Boards.

**IMPORTANT:** Before using the Wing Attachment, Leg Pulley Accessory or the Ab Crunch Boards, be sure the Hitch Pins are securely inserted (see pages 6 - 9 of this manual for directions).

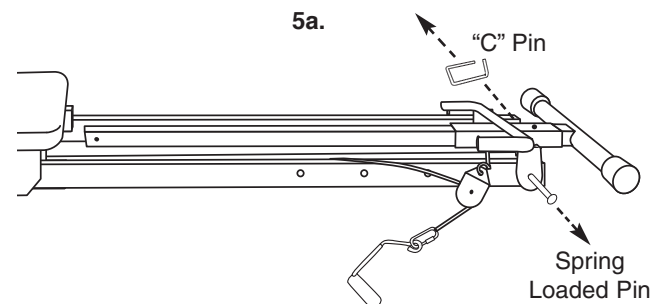
1. Pull the product out of the shipping box. Remove all packaging materials, including tape and cardboard inserts, from your unit.
2. Lay product on the floor with Glideboard side up. Make sure you have plenty of space on both ends of the product. Slide the Glideboard as far as it will go towards the Front Crossbar before you begin lifting unit.
3. Lift the exerciser up by holding it at the top of the Rails. Using your foot, slowly spread the unit open at the bottom approximately 12 inches so that it rests firmly on the Front and Back Crossbars not allowing it to go too far.



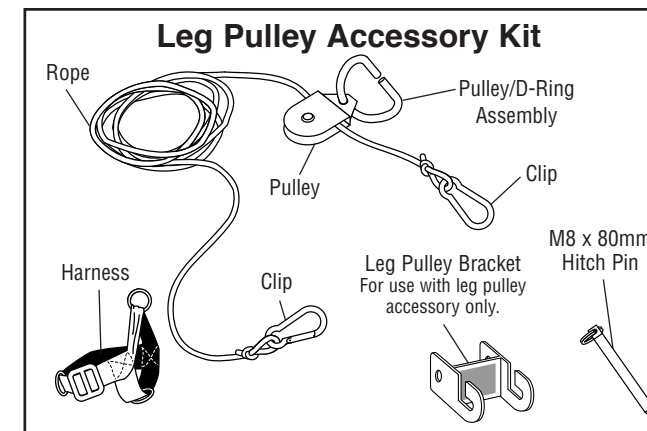
4. Make sure the Handles are out to the sides before you begin to unfold your unit. Keep hands and fingers away from Pulley. Hold onto the top center of Glideboard and begin rolling Tube Rollers. Spread the unit out until it is flat on the floor. Be careful to do this **slowly**. **Be sure to support the frame in the center to avoid having the product drop suddenly onto the floor or pinch fingers.**



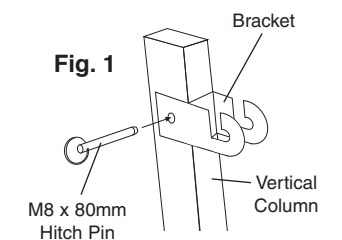
5. (a) Remove “C” Pin from bottom of Vertical Column. Remove plastic packing ties from the top and bottom of the Vertical Column. Pull out the Spring Loaded Pin located on the Height Adjustment Assembly to release Spring Loaded Pin. Continue to hold pin out while performing the next step.



## HOW TO ATTACH THE LEG PULLEY ACCESSORY KIT

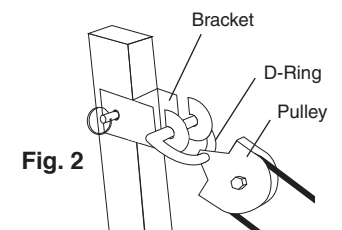


1. Connect the Leg Pulley Bracket to the top of the Vertical Column by aligning Bracket with the hole at the top of the column. (Be sure Bracket is right side up.) Insert M8 x 80mm Hitch Pin through the hole to secure Bracket onto the Vertical Column (see Fig. 1).
2. Detach the Cable Assembly from the loop on the underside of the Glideboard and attach one of the Clips from the Leg Pulley Assembly.
3. Place D-Ring on Pulley first. Then connect the D-Ring to the Bracket as shown (see Fig. 2).



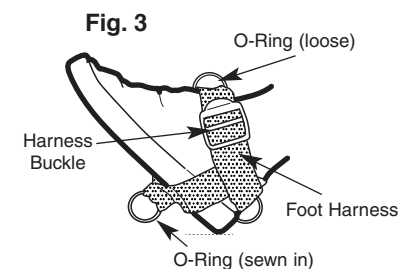
**NOTE: If Rope appears to be twisted, take D-Ring off and turn Pulley around.**

4. Attach the Foot Harness to one of your feet by placing your foot in the Harness so the sewn-in-ring is on the bottom of your foot. Pull tightly on the belt so the Harness is secure (see Fig. 3).



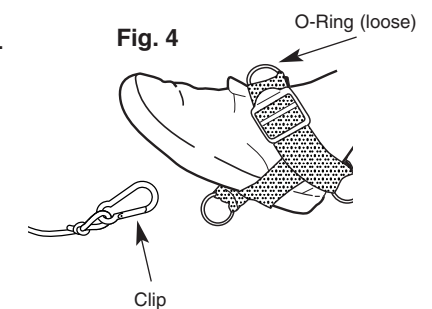
5. (a) Position yourself on the Glideboard correctly for the specific exercise you want to perform.

- (b) While lying down on the Glideboard, connect the Clip on the end of the Rope to an O-Ring on the Harness attached to your foot (see Fig 4). Depending on the exercise you are performing, connect the Clip to the proper O-Ring. Be sure to always stabilize the Glideboard when clipping the Harness on or off. Also, use caution when getting on or off the Glideboard. You are now ready to exercise using the Leg Pulley Accessory. See your *Exercise Book* for specific exercises that utilize the Leg Pulley Accessory.



**NOTE: Remove Leg Pulley Bracket when you are not exercising with it.**

- (c) To disconnect the Harness, unclip the Rope from the O-Ring on the Harness. Be sure to stabilize Glideboard when disconnecting Foot Harness.

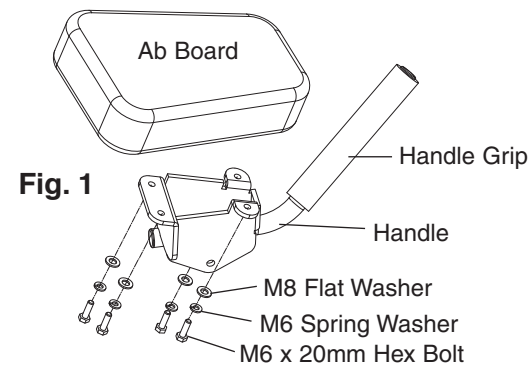


## HOW TO ATTACH THE AB CRUNCH BOARDS

1. Be sure to give enough clearance so your head does not hit the Vertical Column when performing these exercises. **DO NOT attach the Ab Crunch Boards to the Rails on the holes that are closest to the Vertical Column, doing so could result in possible serious injury or death.**
2. Remove Leg Attachment Bracket when using the Ab Crunch Boards to avoid contact, which could result in possible serious injury or death.
3. Be sure that the Hitch Pins are securely locked in place before using the Ab Crunch Boards. Failure to do so may cause the Ab Crunch Boards to fall off resulting in possible serious injury or death.
4. Do not move your body to the extreme left or right when using the Ab Crunch Boards to avoid falling off the exerciser, which could result in possible serious injury or death.
5. Caution should be used when getting on and off the exerciser when the Ab Crunch Boards are in place. Failure to do so could result in possible serious injury or death.

### ASSEMBLY

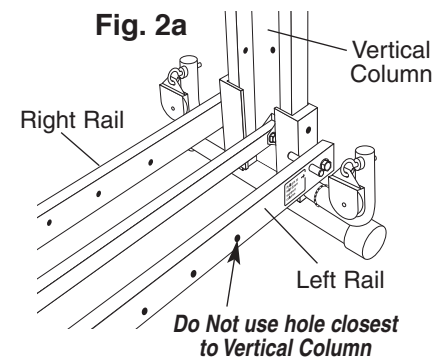
1. Remove Hex Bolts and Washers from bottom of Ab Boards.
2. With the small end of the Ab Board closest to you, securely attach the appropriate Handle with 4 Flat Washers, Spring Washers and Hex Bolts with Hex Wrench provided. See Fig 1.
3. Repeat on 2nd Ab Board.



### INSTALLATION - How to Install the Ab Crunch Boards to your Total Gym® exerciser.

1. Locate the 3 holes at the top of the Right and Left Rails on the Vertical Column (see Fig. 2a). **DO NOT** use hole closest to the Vertical Column. Your head could come in contact with the Vertical Column and could result in possible serious injury or death.

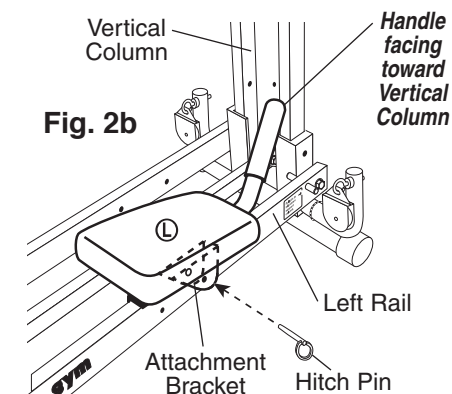
Choose the 2nd or 3rd hole depending on your height or comfort level.



2. Install the Ab Board labeled (L) onto the Left side Rail with the Handle facing toward the Vertical Column (see Fig 2b).

3. Insert the M8 x 60mm Hitch Pin through the holes on the Attachment Brackets and through the hole on the Left Rail as indicated by arrow.

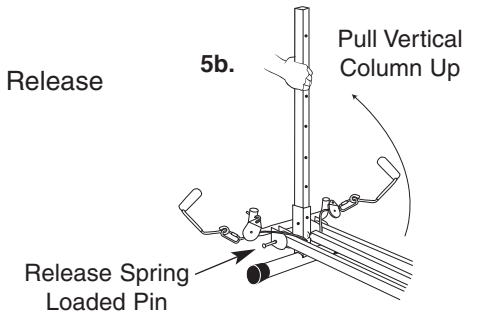
4. Repeat for right Ab Board.



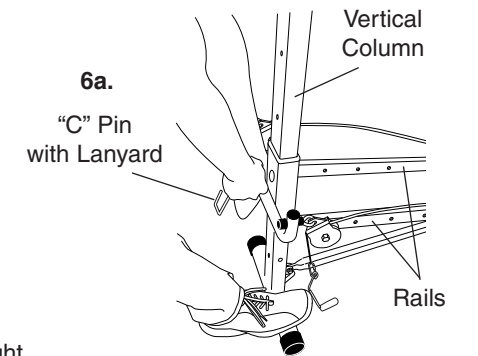
**NOTE: Remove Ab Crunch Boards from frame when not required for the specific exercises.**

- (b) Take hold of the Vertical Column and pull it up until it is upright. Release the Spring Loaded Pin. You should hear it lock back into place.

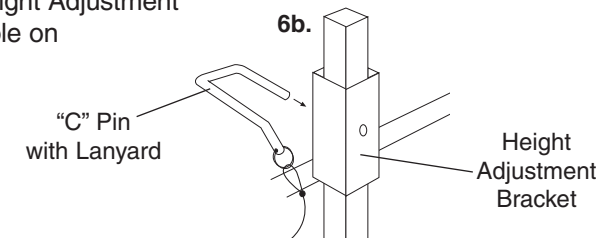
**IMPORTANT: Be sure the Spring Loaded Pin is locked into place before using your unit. You will know the pin is locked into place when you can see the end protrude through the inside of the Rail Bracket.**



6. (a) Position one foot on Back Crossbar to keep the product from lifting off the floor. With one hand on either the Right or Left Rail and the other hand holding the "C" Pin with Lanyard, slide the Rails along the Vertical Column to desired position.

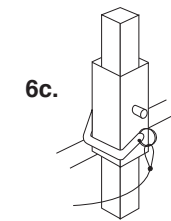


- (b) Then insert "C" Pin with Lanyard (attached to the Height Adjustment Bracket) into the hole on Vertical Column.

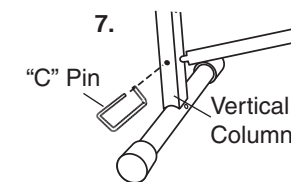


- (c) The "C" Pin with Lanyard will lock into place.

**Never sit on or exercise on the unit without the "C" Pin with Lanyard securely locked into place.**



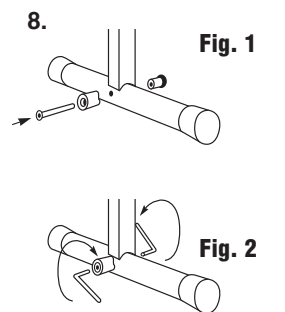
7. Insert "C" Pin in the side hole located at the bottom of the Vertical Column. (This is the pin you removed in step 5a).



### 8. STOPPER ASSEMBLY

If the Stopper at the bottom of the Vertical Column has not already been installed, please do so now. Locate the Stopper which is packed in the Leg Pulley Accessory Kit (See Product Specifications on page 3 of this manual). Unscrew Nut on the end of the Stopper and remove. Insert the Stopper into the hole located in the center of the Back Crossbar (see Fig. 1). Screw the Nut back onto the Stopper and tighten with Allen Wrenches provided (see Fig. 2).

**IMPORTANT:** Proper installation of the Stopper is necessary for the Tube Rollers to function easily when the unit is folded and rolled into place for storage.



## HOW TO ATTACH THE WING ATTACHMENT

The Wing Attachment provided with your unit has been uniquely designed to serve several purposes. It can be placed at the top or bottom of the exerciser and angled toward you or away from you depending upon what is comfortable for you.

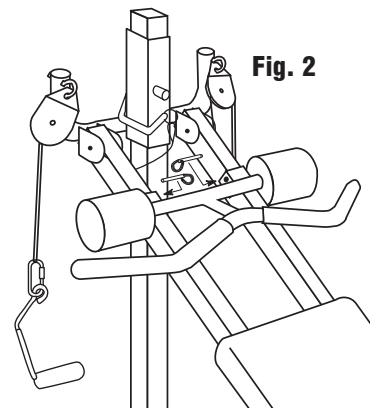
Two thick Foam Pads are provided with the Wing Attachment. They must be attached to the Wing Attachment (if not already) before exercising. To do this:

1. Simply wet each end of the straight Crossbar with soapy water.
2. Attach Foam Pads on the straight Crossbar as shown in Figure 1. Let dry before beginning to exercise with the Wing Attachment.

**Proper ways to use the Wing Attachment in accordance with the exercises you wish to do:**

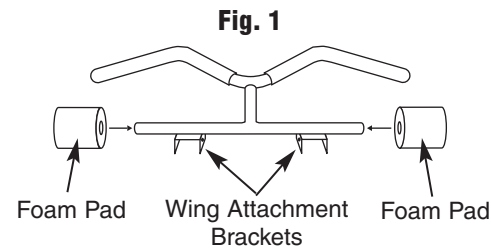
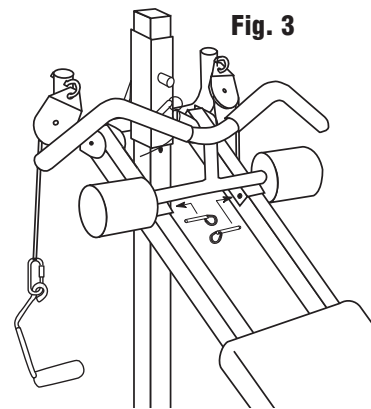
### PULL UPS

1. Locate the holes at the top of the Right and Left Rails on the column end of the unit.
2. With the Wing Attachment angled **toward** the Glideboard, line up the Brackets on the Wing Attachment with the desired position holes on the Rails.
3. Insert the 2 M8 x 80mm Hitch Pins through the holes on the Wing Attachment Brackets and the hole on the Rails, as shown in Figure 2.
4. You are now ready to perform pull up and chin up exercises to work the arms, lats and back. See your *Exercise Book* for specific exercises.



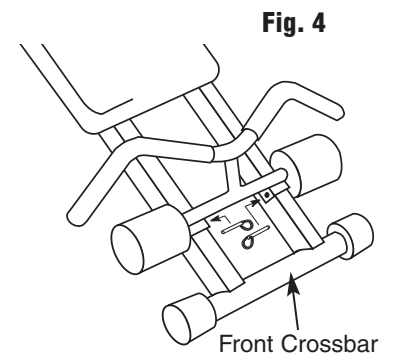
### LEG PULL: CRUNCHES, LEGS AND SIT UPS

1. Locate the holes at the top of the Right and Left Rails on the column end of the unit.
2. With the Wing Attachment angled **away from** the Glideboard, line up the Brackets on the Wing Attachment with the desired position holes on the Rails.
3. Insert the 2 M8 x 80mm Hitch Pins through the holes on the Wing Attachment Brackets and the hole on the Rails, as shown in Figure 3.
4. You are now ready to perform leg pulls, crunches and sit up exercises to work the abdominals, waist and legs. See your *Exercise Book* for specific exercises.



### FRONT PRESS

1. Locate the holes at the bottom of the Right and Left Rails near the Front Crossbar.
2. With the Wing Attachment **toward** the Glideboard, line up the Brackets on the Wing Attachment with the desired position holes on the Rails.
3. Insert the 2 M8 x 80mm Hitch Pins through the holes on the Wing Attachment Brackets and the hole on the Rails, as shown in Figure 4.
4. You are now ready to perform the front press which works the upper chest and triceps. See your *Exercise Book* for specific exercises.

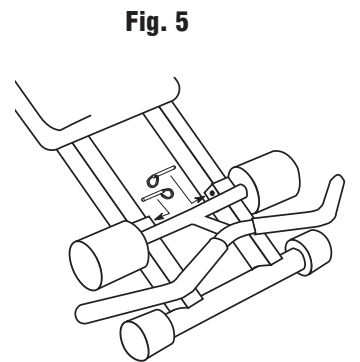


### SQUATS

1. Locate the holes at the bottom of the Right and Left Rails near the Front Crossbar.
2. With the Wing Attachment angled **away from** the Glideboard, line up the Brackets on the Wing Attachment with the desired position holes on the Rails.
3. Insert the 2 M8 x 80mm Hitch Pins through the holes on the Wing Attachment Brackets and the hole on the Rails, as shown in Figure 5.
4. You are now ready to perform the front press which works the thighs and calves. See your *Exercise Book* for specific exercises.

**NOTE: When performing the squat exercises, be sure to position your hands on the side of the Glideboard, NOT along the bottom of the Glideboard in order to avoid pinched fingers.**

**NOTE: Remove Wing Attachment from frame when not required for the specific exercises.**



### PILATES BAR ASSEMBLY

Assemble the Pilates Bar at the opposite end of the unit by inserting it into the Front Crossbar as shown in Figure 6. Make sure it is fully inserted.

