

APPLICATION

The Reliance Rack Return Module assembly allows washer accessories and manifold racks to be returned from the preparation and pack area to the decontamination room and facilitates movement of decontaminated items between the decontamination room and the preparation and pack area.

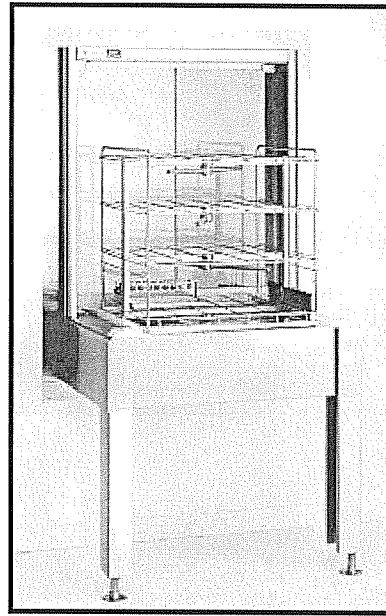
DESCRIPTION

The Reliance Rack Return Module is compatible with accessories processed in Reliance® 444 and 777 Washer/Disinfectors.

When a transfer cart interfaces with the rack return, an empty rack on the transfer cart is moved to the counter-top, and then is pushed forward through the doors from the clean side to the soiled side. The rack is then moved from the rack return to the transfer cart.

Size (W x H x L)

- Counter Assembly:
 34-3/4 x 9 x 47"
 (883 x 229 x 1194 mm)
- Window Assembly:
 34-3/4 x 36-9/16 x 10-1/2"
 (883 x 929 x 267 mm)
- Doors:
 15-3/8 x 34 x 3/8"
 (391 x 864 x 10 mm)



(Typical only – some details may vary.)

Loading Height

Two loading heights are available when used with the Reliance Rack Return

- 31" (787 mm) when used with the Reliance 444 Washer
- 36-5/8" (930 mm) when used with the Reliance 777 Washer

STANDARDS

The Reliance Rack Return Module assembly meets the applicable requirements of the following standard:

- **92/59/EEC**, EC General Products Safety Directive.

FEATURES

Rack Return Assembly

- is designed to be compatible with any type of building wall: masonry, drywall, and the Modular Wall.
- is designed to fit into a standard rough opening, through 2-8" (51-203 mm) thick walls, without any special modifications.

Internal Reinforcement Frame

- is designed to withstand fully loaded racks up to 250 lbs (113 kg) over a 24" (610 mm) square area.

The Selections Checked Below Apply To This Equipment

MODEL

- Reliance 444 Rack Return
- Reliance 777 Rack Return

ACCESSORY

- Barrier Wall Flange

Item 12273

Location(s) _____

Door spring mechanism allows self-closing action, without human interface. Door spring system is designed to counter room pressure differential, to keep doors normally closed at all times. Locking devices can lock doors in a 90° open position.

Transfer cart interface. Counter aprons for the Reliance 444 Rack Return act as a lateral blockage device. Guidance blocks on both sides of the countertop act as a lateral blockage system for the Reliance 777 Rack Return.

ATS Interface. Both ends of the rack return are fully compatible with Reliance® ATS Automated Transport System non-powered, gravity-fed systems.

ACCESSORY

Barrier Wall Flanges. Standard barrier wall flanges can be provided to aesthetically seal the wall opening between the rack return and the building wall, so no spaces or gaps remain.

CONSTRUCTION

Countertop, legs, window outline, and filler panels are of 304 stainless steel (#4 finish).

Internal reinforcement frame is made of painted carbon steel.

Sliding guides, lateral guidance blocks, and bumpers are of UHMW (ultra high molecular weight) plastic.

Doors are of shock- and scratch-resistant, tinted polycarbonate plastic.

Locking devices are of 304 stainless-steel (#4 finish) rod.

NOTES

1. Accessory barrier wall flanges are shipped in one crate.
2. Gypsum wall must be reinforced with surrounding frame of 2 x 4" (51 x 104 mm) metal studs.

CUSTOMER RESPONSIBLE FOR COMPLIANCE WITH APPLICABLE LOCAL AND NATIONAL CODES AND REGULATIONS.

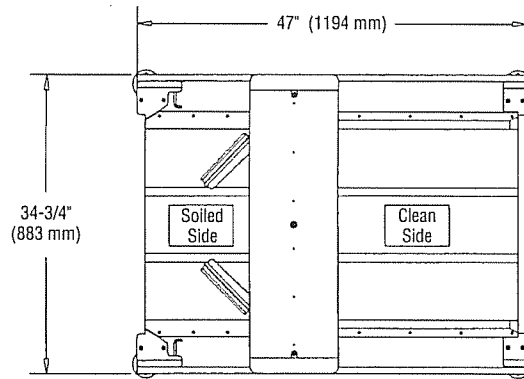
**STERIS Corporation,
Quebec, Canada is an
ISO 13485 certified facility.**

The base language of this document is ENGLISH. Any translations must be made from the base language document.

ENGINEERING DATA

Washer Model	Maximum Shipping Weight	Maximum Shipping Dimensions (W x H x D)	Wall Opening (W x H x D)	Distance Above Finished Floor
Reliance 444 Rack Return Module	235 lbs (107 kg)	34-3/4 x 67-5/16 x 47" (883 x 1710 x 1194 mm)	36-3/8 x 48-1/2" x depth of wall (924 x 1232 mm x depth of wall)	20-1/4" (514 mm)
Reliance 777 Rack Return Module	235 lbs (107 kg)	34-3/4 x 73-1/8 x 47" (883 x 1857 x 1194 mm)	36-3/8 x 48-1/2" x depth of wall (924 x 1232 mm x depth of wall)	25-5/8" (651 mm)

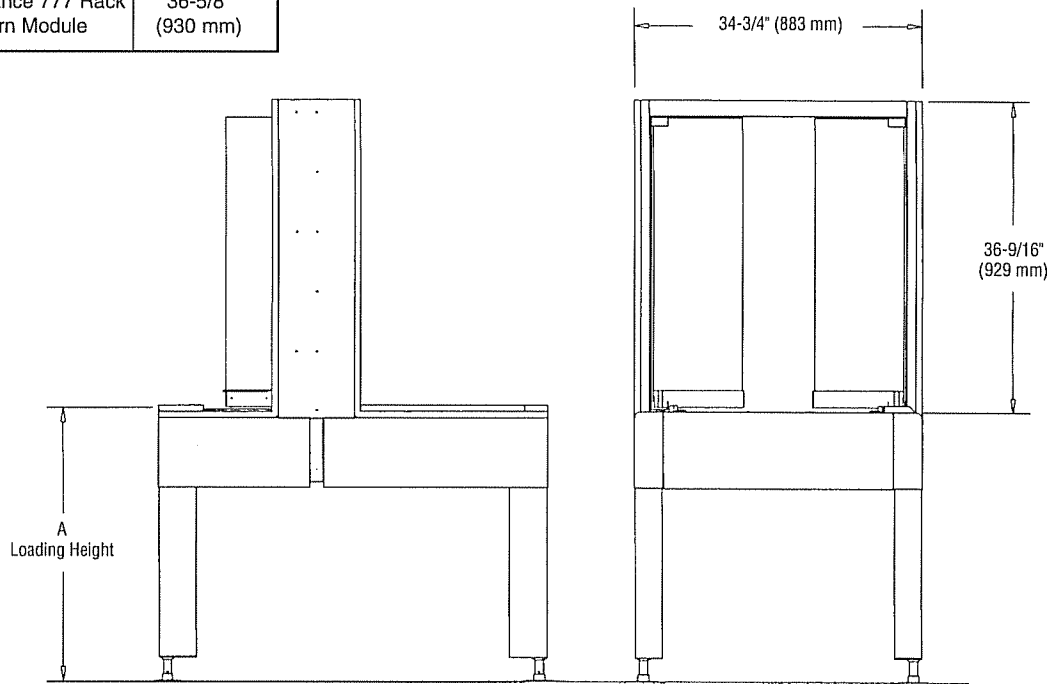
**Dimensions shown here are typical, and subject to change without notice.
 REFER TO STERIS EQUIPMENT DRAWINGS FOR
 COMPLETE AND DETAILED INSTALLATION SPECIFICATIONS.**



TOP VIEW

Loading Height

Model	A
Reliance 444 Rack Return Module	31" (787 mm)
Reliance 777 Rack Return Module	36-5/8" (930 mm)



SIDE VIEW

FRONT VIEW