



# Pediatric Examination Table

For models:  
*640 (all)*



MA7809

## User's Guide

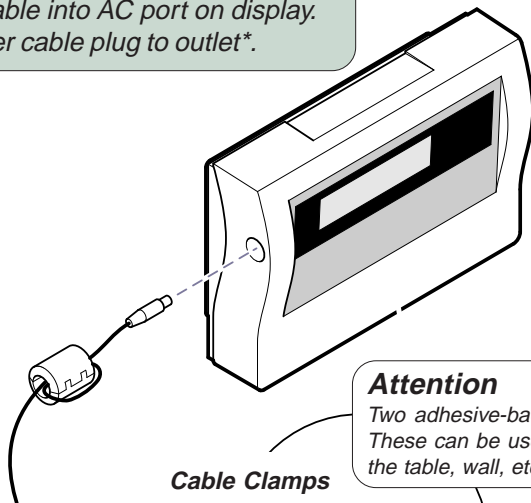
003-1752-00 (Rev C)  
12196

# Installation

## Digital Scale: AC Adapter Cable Connection

### To connect AC adapter cable...

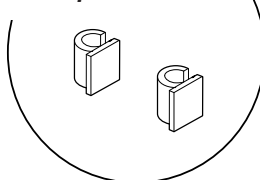
- A. Plug adapter cable into AC port on display.
- B. Connect adapter cable plug to outlet\*.



### Attention

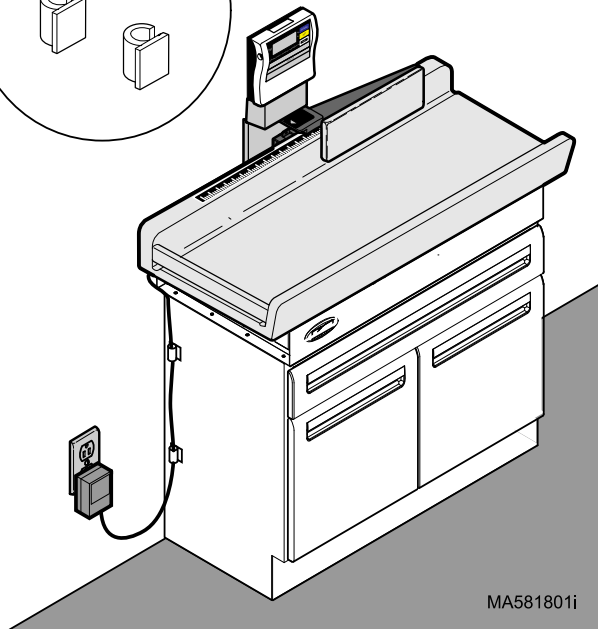
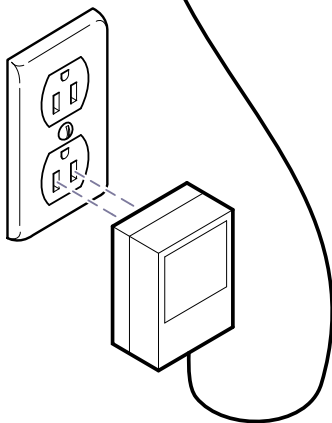
Two adhesive-backed cable clamps are provided. These can be used to secure the adapter cable to the table, wall, etc. (see illustration below).

### Cable Clamps



### \*Electrical Requirements

120VAC, 60 Hz, 5W

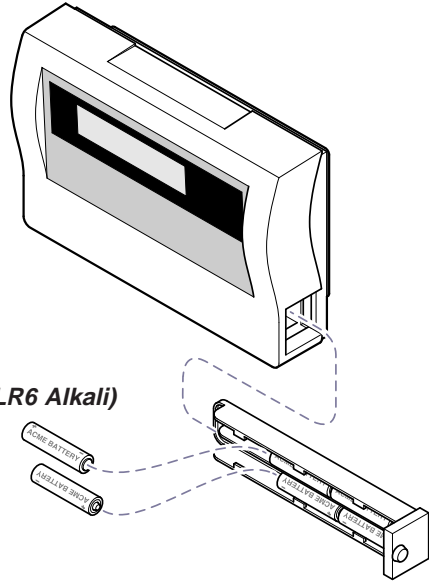


MA581801i

## Digital Scale: Battery Installation

### To install batteries...

- A. Loosen thumbscrew & remove battery box.
- B. Install six AA (LR6 Alkali) batteries.  
(Position as indicated on battery box).
- C. Install battery box, then tighten thumbscrew.

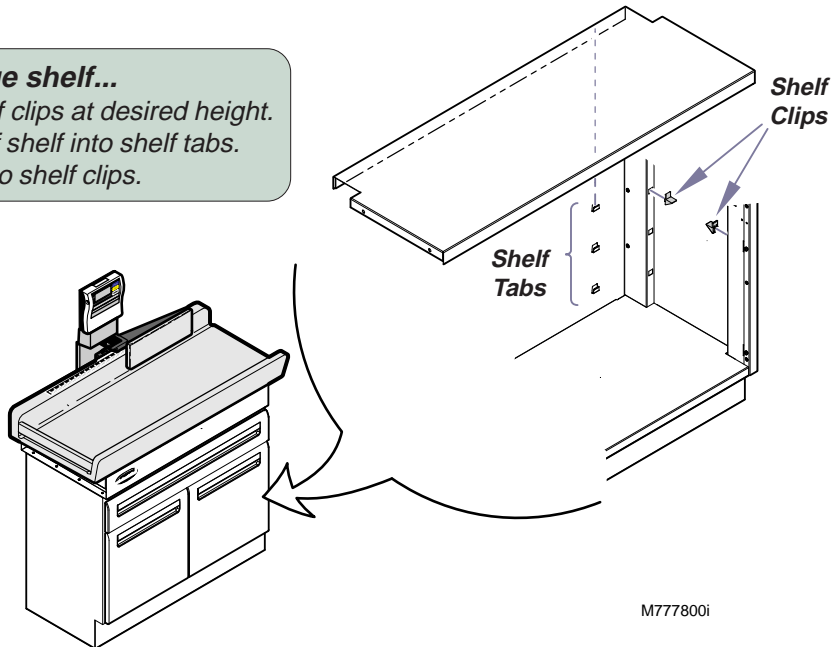


MA581701i

## Storage Shelf

### To install storage shelf...

- A. Install four shelf clips at desired height.
- B. Latch rear lip of shelf into shelf tabs.
- C. Lower shelf onto shelf clips.



M777800i

# Troubleshooting

Troubleshooting Guide 640 Pediatric Examination Table		
Problem	Possible Cause	Solution
<i>Measurement arm is not square with back of table top.</i>	Measurement arm out of alignment	Refer to: <i>Measuring Arm Alignment.</i>
<i>Length measurements seem inaccurate.</i>	Linear scale label is in wrong location.	Use a tape measure to verify proper position of the linear scale label in relation to the measurement stop. Reposition label if necessary.
<i>Weight measurements seem inaccurate.</i>	Digital scale is out of calibration	Refer to: <i>Digital Scale - Verifying Scale Accuracy</i>
<i>'Lo' is displayed on digital scale readout</i>	Batteries in digital scale are low	Refer to: <i>Digital Scale: Battery Installation</i>

## Specifications

### Weights & Scale Specifications

**Maximum Patient Weight:** ..... 40 lbs (18 kg)  
**Paper Roll (maximum size):** ..... 14 in. long x 3 in. diameter  
 (35.6 cm x 7.6 cm)  
**Weight of Table:** ..... 170 lbs (77 kg)

#### Digital Scale

##### Accuracy:

*Patients 0 to 22 lbs (0 to 10 kg)* ..... ±1 oz (±28 g)

*Patients 22 to 40 lbs (10 to 18 kg)* ..... ±2 oz (±56 g)

**Minimum Increments:** ..... 1 oz (0.01 kg)

**Type Measurement:** ..... Electrical Resistance Method

##### Power Source:

Batteries ..... six (6) AA (LR6 Alkali)

AC Adapter ..... Input: 120 VAC, 60 Hz, 5W

Output: 9 VDC, 200mA

**Power Consumption:** ..... 0.25 Watts max.

**Display:** ..... LCD w/ 1 in (25 mm) numerals

#### Linear Scale (Measuring Arm)

**Accuracy:** ..... ±1/8 in. (±3 mm)

**Minimum Increments** ..... 1/8 in. (0.5 cm)

**Table Dimensions:** ..... (Refer to: *Dimensions* on following page)

# Dimensions

