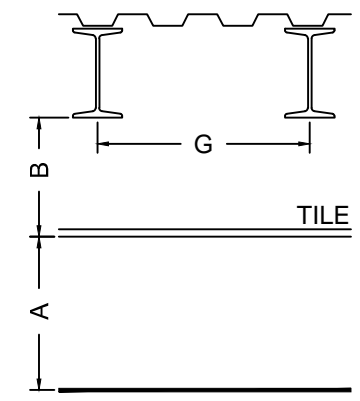
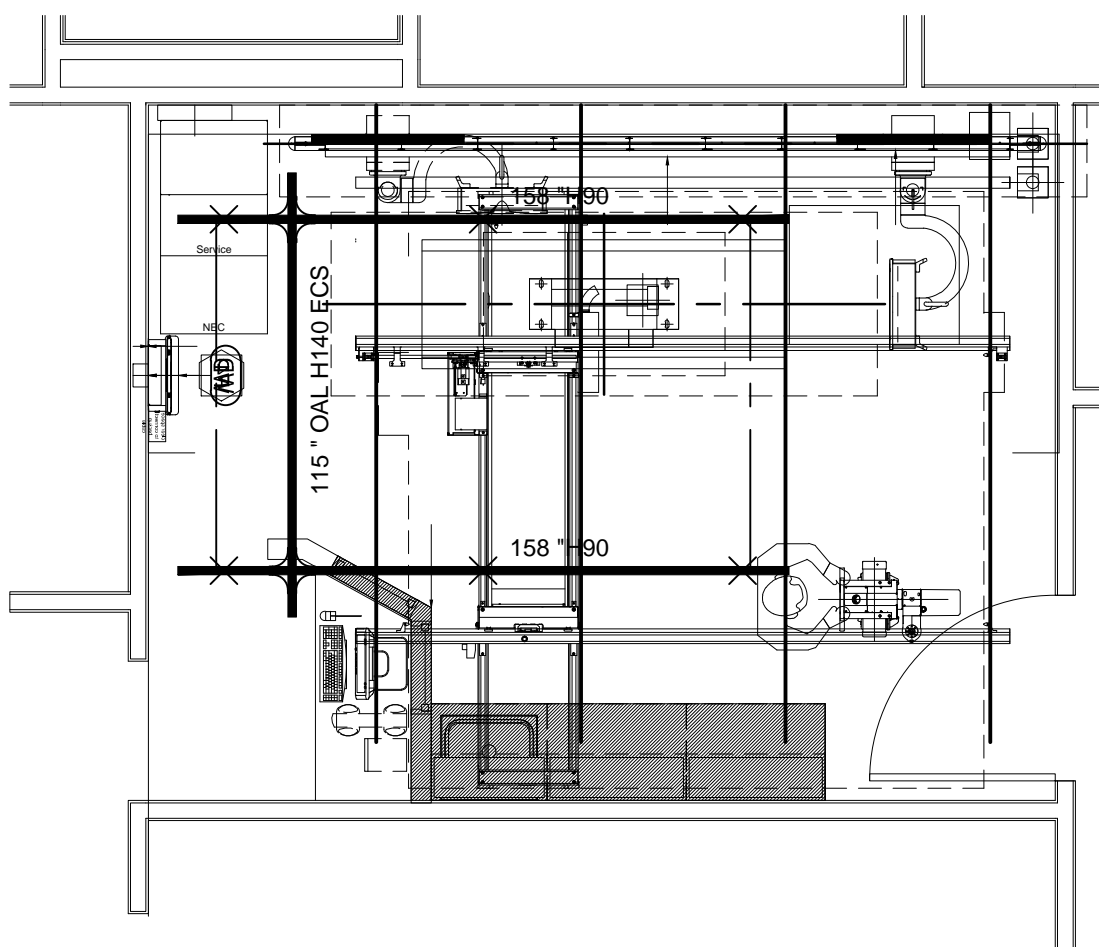


- ALL HARDWARE INCLUDED.
(ACCORDING TO STRUCTURE)



A=120"
B=72"
F=16"
G=53"
H=6"

ECS INSTALLATION
MS2 2F ECS MOTOR

THE EXACT LOCATION OF THE LIFT SYSTEM IS TO BE DETERMINED ON SITE.

QUANTITY OF ROOMS:	2
LISTING OF ROOM NUMBER(S):	CT 24, CT25

SHRINERS HOSPITAL FOR CHILDREN	
SAFE WORKING LOAD BELOW LIFT: 600LBS [272KG]	
MINIMUM STRUCTURE CAPACITY: 750LBS [340KG]	

DATE CREATED (DD-MMM-YYYY) :	13-MAY-2013

DRAWN BY:	usaddsom02	SCALE:	1/4" = 1'
REFERENCE #:	QC-513131MS	PAGE:	2 / 4 11779

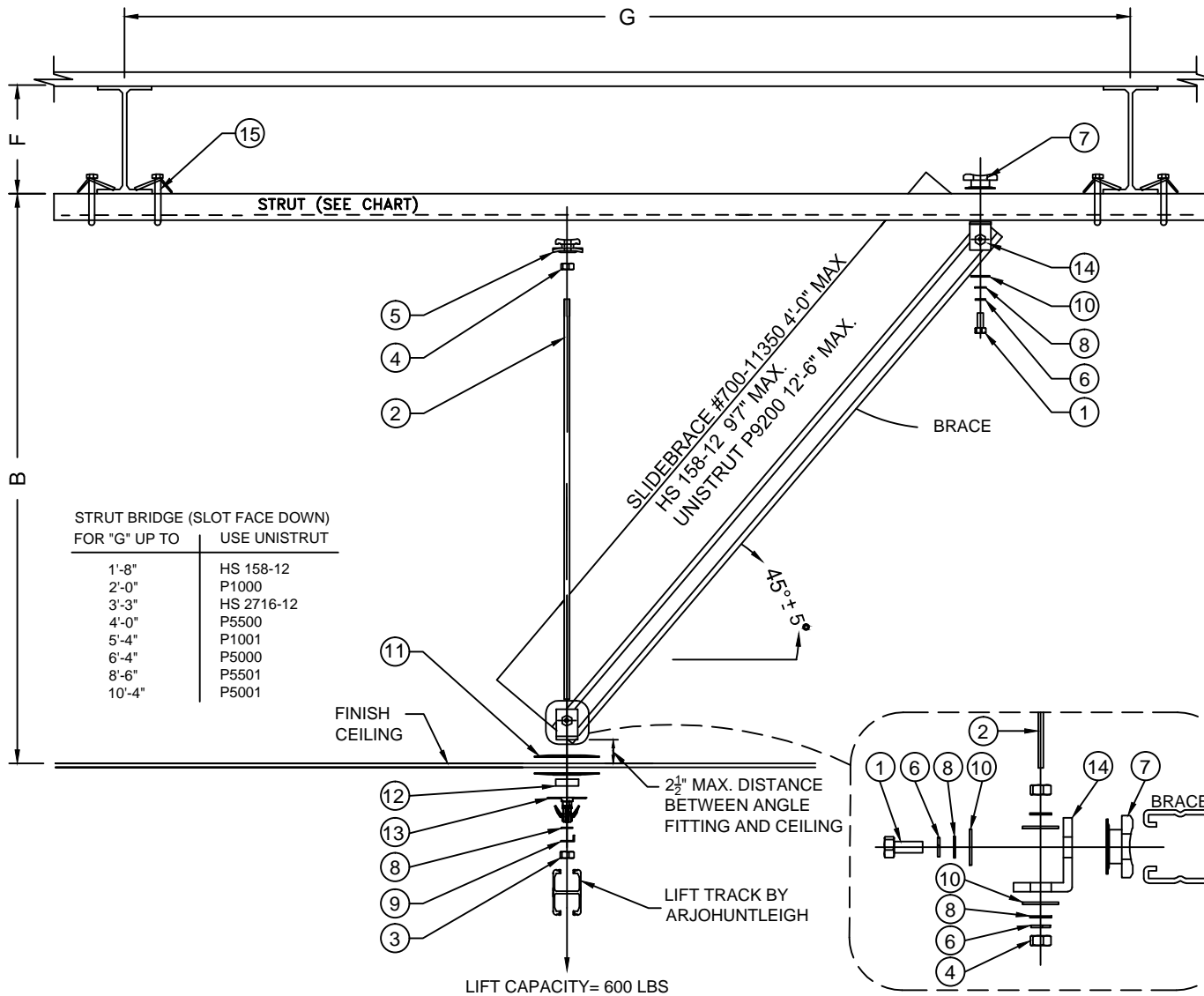
THIS LAYOUT HAS BEEN PREPARED WITH SUPPLIED DATA.

NOTE: CUTTING OF RAILS ON SITE ONLY



I BEAM

- ALL HARDWARE INCLUDED.
(ACCORDING TO STRUCTURE)



Item #	Part #	Description	Qty
1	000.00357	BOLT 3/8" - 16 X 1"	3
2	000.00394	THREADED ROD 3/8-16 X 10' ZINC	1
3	000.00402	LOCKNUT STOVER 3/8-16 ZINC	1
4	000.00405	NUT 3/8-16 ZINC	3
5	000.00424	HILTI STRUT SADDLE NUT 3/8-16	1
6	000.00425	LOCKWASHER 3/8"	4
7	000.00426	HILTI CHANNEL NUT 3/8-16	3
8	000.04430	FLAT WASHER M10 ZINC	6
9	000.04435	TAB WASHER M10	1
10	000.04875	FLAT WASHER M12	5
11	200.11140	CEILING PLATE ø100MM	2
12	200.11170	BRACKET SHIM 12mm	1
13	700.11100	TRACK BRACKET KWIKTRAK	1
14	P1068	UNISTRUT ANGLE	2
15	P27XX	UNISTRUT BEAM CLAMP (PENDING ON STRUT USAGE)	4

QUANTITY OF ROOMS: **0**

**SHRINERS HOSPITAL
FOR CHILDREN**

SAFE WORKING LOAD BELOW LIFT: 600LBS [272KG]
MINIMUM STRUCTURE CAPACITY: 750LBS [340KG]

DATE CREATED (DD-MMM-YYYY) : 13-MAY-2013

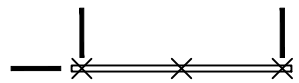
DRAWN BY: usaddsom02 SCALE: N/A

REFERENCE #: QC-513131MS PAGE: 3 / 4 11779

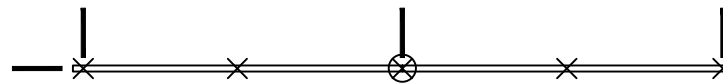
"NOTE: ARJOHUNTLEIGH GUARANTEES THE STRUCTURAL INTEGRITY OF THE TOTAL LIFT SYSTEM DESIGN, INCLUDING TRACK, BRACING, HANGERS, AND ALL CONNECTIONS TO THE BUILDING STRUCTURE. OUR DESIGN IS BASED ON THE REQUIREMENTS OF THE CURRENT INTERNATIONAL BUILDING CODE (IBC) AND THE SEISMIC LOADS OF THE REGION. THE FACILITY MUST VERIFY THE ADEQUACY OF THE BUILDING STRUCTURE TO SUPPORT THE LOADS IMPOSED BY THE LIFT SYSTEM."

LATERAL BRACE REQUIREMENTS REV-3

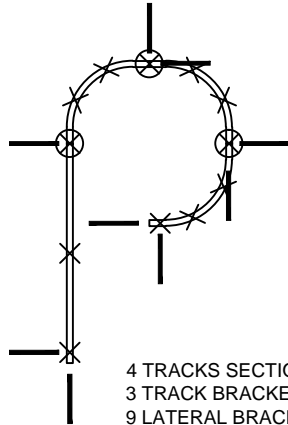
- ALL HARDWARE INCLUDED.
(ACCORDING TO STRUCTURE)



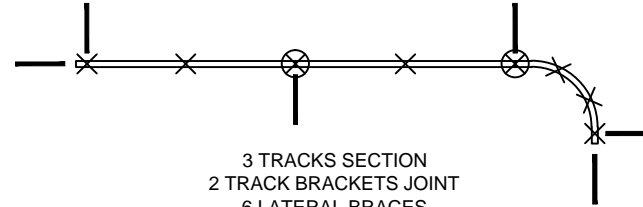
1 TRACK SECTION
0 TRACK BRACKET JOINT
3 LATERAL BRACES



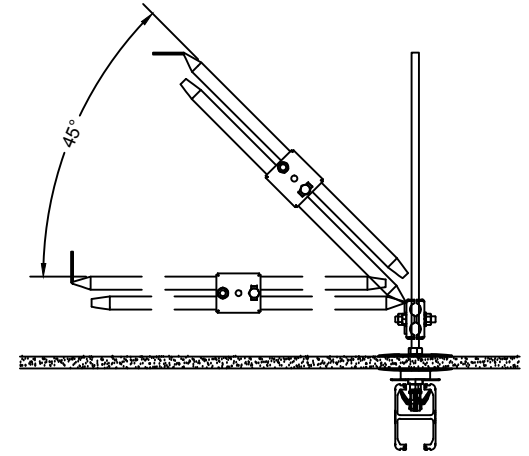
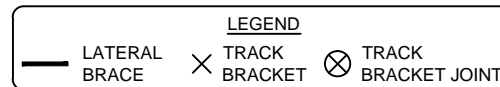
2 TRACKS SECTION
1 TRACK BRACKET JOINT
4 LATERAL BRACES



4 TRACKS SECTION
3 TRACK BRACKETS JOINT
9 LATERAL BRACES

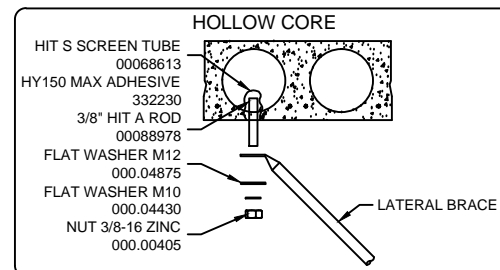
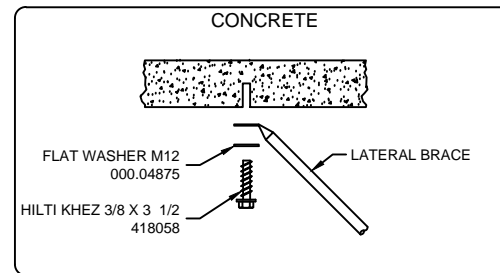
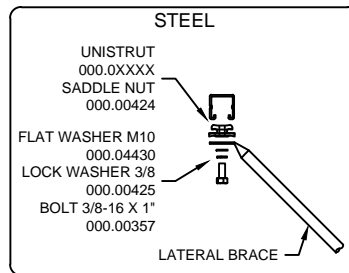
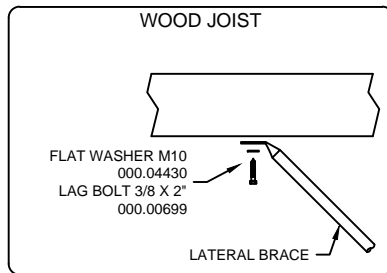


3 TRACKS SECTION
2 TRACK BRACKETS JOINT
6 LATERAL BRACES



- MINIMUM 3 LATERAL BRACES.
- NUMBER OF LATERAL BRACE = (NUMBER OF TRACK BRACKET JOINT X 2) + 2.

POSSIBLE ANCHOR LATERAL TO THE CEILING OR TO THE WALL



QUANTITY OF ROOMS: **0**

SHRINERS HOSPITAL FOR CHILDREN

SAFE WORKING LOAD BELOW LIFT: 600LBS [272KG]
MINIMUM STRUCTURE CAPACITY: 750LBS [340KG]

DATE CREATED (DD-MMM-YYYY) : 13-MAY-2013

DRAWN BY : usaddsom02

SCALE : N/A

REFERENCE # : QC-513131MS

PAGE : 4 / 4 11779

MAXI SKY⁶⁰⁰

The complete, customised
ceiling lift system

ARJOHUNTLEIGH



...with people in mind

A TOTAL CEILING LIFT CONCEPT

Maxi Sky⁶⁰⁰ is a ceiling lift system that enables patients and residents to be transferred in a comfortable and dignified way. For the carer, it offers an easy-to-operate system that eliminates manual lifting.

A single carer can perform transfers quickly and efficiently, controlling all procedures with the handset. *Maxi Sky⁶⁰⁰* saves time, because it is always available for duty and within easy reach for the carer. And, when it's not in use, the unit takes up no precious floor space as it is discreetly out of sight at the recharging station on the overhead track.

What makes *Maxi Sky⁶⁰⁰* unique among ceiling lifts? It is a total concept. ArjoHuntleigh does much more than delivering an advanced ceiling lift, offering complete support every step of the way from track design to long-term system servicing.



- **Designing the best system for your facility**

We will help you create a layout that provides ideal coverage using our revolutionary modular track.

- **Faster installation**

Track installation is a quicker and easier process due to a new patented bracket design.

- **On track**

The tight radius of the curved track sections enables layouts with superior space utilisation. Track sections fit together using a unique pin-locking system, and once in place, the seamless joints provide a smooth ride for the resident during lateral movement.

- **Instant availability**

The lift is always ready for use. After transfers, the lift can be programmed to return to the clip-on charging station, which can be positioned anywhere on the track.

- **Smooth operation and control**

Regulation of lateral speed and spreader bar height is programmable from the handset. Electronic soft-start/soft-stop enables the lift to be stopped smoothly and safely in the required position.

- **Simple maintenance**

Battery changing is easy and requires only a screwdriver. A red light on the lift alerts the carer when servicing is required.

- **The widest range of accessories**

Access to our patient interface solutions – clip slings, loop slings, spreader bars and stretcher frame – gives you unrivalled flexibility to adapt to different needs.

- **Provision of staff training**

We not only provide thorough guidance on how to use the system correctly, but also offer training on ergonomic working techniques.

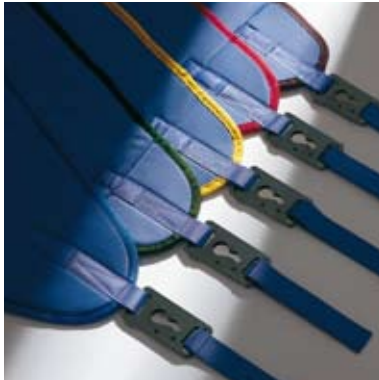
- **Long-term system support**

ArjoHuntleigh technical staff ensure that regular servicing and any unforeseen problems are dealt with quickly and efficiently.

Maxi Sky⁶⁰⁰ has a discreet, aesthetic design that blends in well with the care environment.



ACCESSORIES FOR OPTIMISED CARE

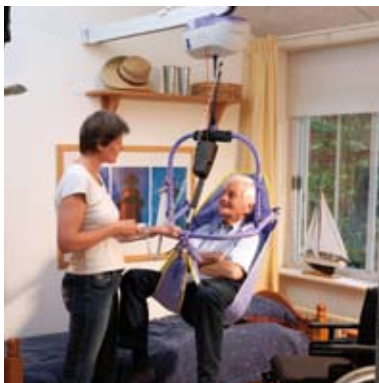


ArjoHuntleigh slings are colour-coded to clearly indicate sizes.

Patient interface solutions are the key to optimising care for individuals. The comprehensive range of *Maxi Sky⁶⁰⁰* accessories gives facilities flexibility to provide ideal solutions for different residents' requirements and to respond to changing needs.

Sling solutions

A complete range of ArjoHuntleigh loop and clip slings covers the needs of all care facilities. Clip slings include standard padded and unpadded slings, special purpose slings for toileting, mesh slings for bathing and showering, and solutions for single and double amputees. The broad spectrum of sizes and sling types means that the ceiling lift can always be used with a sling that is optimised for the resident's comfort and safety.



The 4-point Powered DPS spreader bar.

Spreader bars

ArjoHuntleigh loop and clip slings fit applicable 2-point spreader bars or 4-point DPS (Dynamic Positioning System) spreader bars. The DPS provides a safe and comfortable sling position for the patient during transfers and makes repositioning tasks easier for the carer. Powered DPS enhances DPS benefits by providing powered assistance to improve the precision and ease of resident repositioning. Using Powered DPS enables effortless, exact positioning of the resident at the press of a button.



Walking Jacket

Compatibility with the ArjoHuntleigh Walking Jacket means *Maxi Sky⁶⁰⁰* can also be used as an aid in rehabilitation. The *Walking Jacket*, which is applied to a 2-point loop spreader bar, provides safe and stable support during walking and stepping exercises.

Stretcher frame

Maxi Sky⁶⁰⁰ is compatible with different stretcher solutions and is suitable for a number of types such as the scoop stretcher.

Quick Connect

At facilities where there is a regular need to switch between various spreader bars or to a stretcher, the Quick Connect accessory can provide a smooth, fast solution for changeovers.

Electronic scale

The optional Class 3-approved electronic scale allows residents to be weighed easily and efficiently during transfers.



The 4-point Flat DPS spreader bar, favourable e.g. low ceiling clearance.



Class 3-approved scale, used here on a 2-point spreader bar.



A FLEXIBLE MODULAR TRACK SYSTEM



The exchanger and turntable enable a variety of different track solutions.



The exchanger is powered by the lift cassette of *Maxi Sky⁶⁰⁰* to facilitate track switching. This solution means no extra power supply needs to be installed.



Maxi Sky⁶⁰⁰ can continue on a different track after passing the exchanger.



A turntable provides a choice of directions outside the resident's room.



Two, three or four tracks can be connected at various angles to the turntable, which is also powered by *Maxi Sky⁶⁰⁰*.



The gate, powered by *Maxi Sky⁶⁰⁰*, is a smooth way to combine a fixed track and an X-Y (traverse) system.

MAXI SKY IN CARE SITUATIONS



If a resident has fallen, the long lifting strap (2.3 m) makes it easy and safe to perform a lift from the floor.



When full-room coverage is required, the X-Y (traverse) system is an ideal choice. With the unique traverse action, the track moves very easily with no risk of jamming. Here, it is used with an ArjoHuntleigh curtain to provide a high degree of privacy.



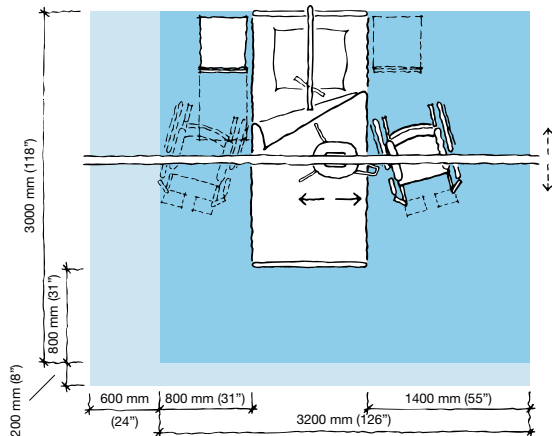
The track can be partially concealed in a suspended ceiling to provide a discreet solution.



There is a full range of Maxi Sky ceiling lifts that includes a portable lift, Maxi Sky⁴⁴⁰, with a safe working load of 200 kg (440 lbs) and, pictured here, Maxi Sky¹⁰⁰⁰, which is designed to handle bariatric patients, and has a safe working load of 455 kg (1000 lbs).

PRODUCT SPECIFICATIONS

Space requirement

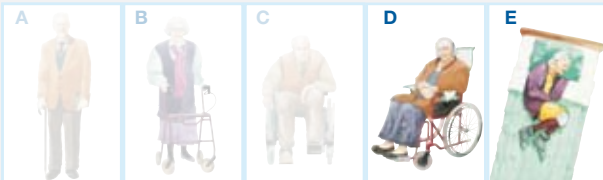


- Blue area shows the minimum working area required for the staff to be able to use the mechanical aids in an ergonomic way from one side.
- Light blue area shows required extension of working area to facilitate activities from either side to provide adequate access for the resident, mechanical aid and assisting carer.

The *Maxi Sky⁶⁰⁰* is part of the complete ArjoHuntleigh *Maxi Sky* ceiling lift range that includes the *1000* model, a bariatric ceiling lift, and the *440* model, a portable ceiling lift.

Mobility Gallery™

Suitable for Doris and Emma



- D Doris**, who has no capacity to support herself
- E Emma**, who is almost completely bedridden and totally dependant

Please contact ArjoHuntleigh for further information on the Mobility Gallery™.

Product information

Safe working load	272 kg (600 lbs.)
Unit weight (batteries included)	11.5 kg (28 lbs.)
Length	400 mm (15 3/4")
Width	256 mm (10 1/8")
Height	188 mm (7 3/8")
LED indicator when maintenance is required	
Electronic microprocessor soft-start and stop motor control	
Double centrifugal emergency brake system	
Manual emergency lowering device (located on the motor cab)	
Electrical up and down emergency buttons	
Emergency stopping device (pull cord) accessible from the ground	
Strap length up to	2.3 meter (90")
Lifting speed:	2.7 cm/sec. (1.2" / sec.) at 272 kg (600 lbs.) 3.5 cm/sec. (1.6" / sec.) at 200 kg (440 lbs.) 6 cm/sec. (2.3" / sec.) at 0 kg (0 lbs.)
Batteries:	2x5 Ah will average 150 cycles (loaded at 75 kg / 165 lbs.)
Adjustable horizontal displacement speeds: 10, 15, 20, 25 cm/sec. (4, 6, 8, 10" / sec.). Preset at 20 cm/sec (8" / sec.)	
User initiated return to charge station function with weight sensor cut-out of 9kg (20 lbs.) on/off programmable	
ABS FR casing (fire retardant)	
Charger unit	100-240 Vac / 50-60 Hz / 27 Va
Clip on charger anywhere on the track	
Class 2 insulated	
Hand control	Santopren tactile buttons / IP44
Infrared remote control (optional)	
Approvals CSA No 601.1, UL No 2601-1 certifications CE marked / ISO 10535	

Only ArjoHuntleigh designed parts, which are designed specifically for the purpose, should be used on the equipment and products supplied by ArjoHuntleigh. As our policy is one of continuous development we reserve the right to modify designs and specifications without prior notice.

ArjoHuntleigh, Maxi Sky, Walking Jacket and Mobility Gallery™ are trademarks belonging to the ArjoHuntleigh group.
© Arjo AB, 2008

ARJOHUNTLEIGH ...with people in mind

Arjo International AB
PO Box 61
SE-241 21 ESLÖV
Phone: +46 413 645 00
Fax: +46 413 645 63
www.ArjoHuntleigh.com