

Did You Know?

Ongoing studies show that 80% of Radiologists using poorly designed workstations and workspaces have reported that they are experiencing an increase in ergonomic work related issues.



Redrick Technologies' focus and commitment, for over a decade, has been to improve the Radiologist reading room environment, resulting in:

- Decreased musculoskeletal injuries of the wrist, shoulders and back
- Decreased eye fatigue
- Reduced work related fatigue and stress

“ Their products are exceptional in design and quality. They were able to custom design the workstations to fit our specific needs and also design the overall layout to achieve the maximum benefits given the space limitations we faced. ”

– Woojin Kim, MD –
Hospital of the University of Pennsylvania

Our 5 Step Process

1 CONSULTATION



2 CONCEPT DEVELOPMENT

3 WORK ZONE



4 DELIVERY & IMPLEMENTATION

5 TRAINING

Redrick's focused commitment is to provide high quality ergonomic workstations and complete reading room solutions that include ergonomic requirements, full scale design consultation services that include lighting, acoustics, and space design recommendations.

Redrick can help you take control of your work environment to improve workflow and increase productivity!



Contact Us By Calling
1-800-340-9511
or by clicking here.



form function flow™

ComfortView™ Workstations

ComfortView™ CVF-BW-R



Features

- Electric Height Adjustable from 24"-49.5"
- Lift capacity 600 lbs
- Single piece work surface built to suit the available physical space – virtually limitless design capability

Shown with ComfortView™ M Series Monitor mount

- Up to 6 monitors (or equivalent) on single rail with electric height adjustment and easy forward/back and side/side manual adjustment.

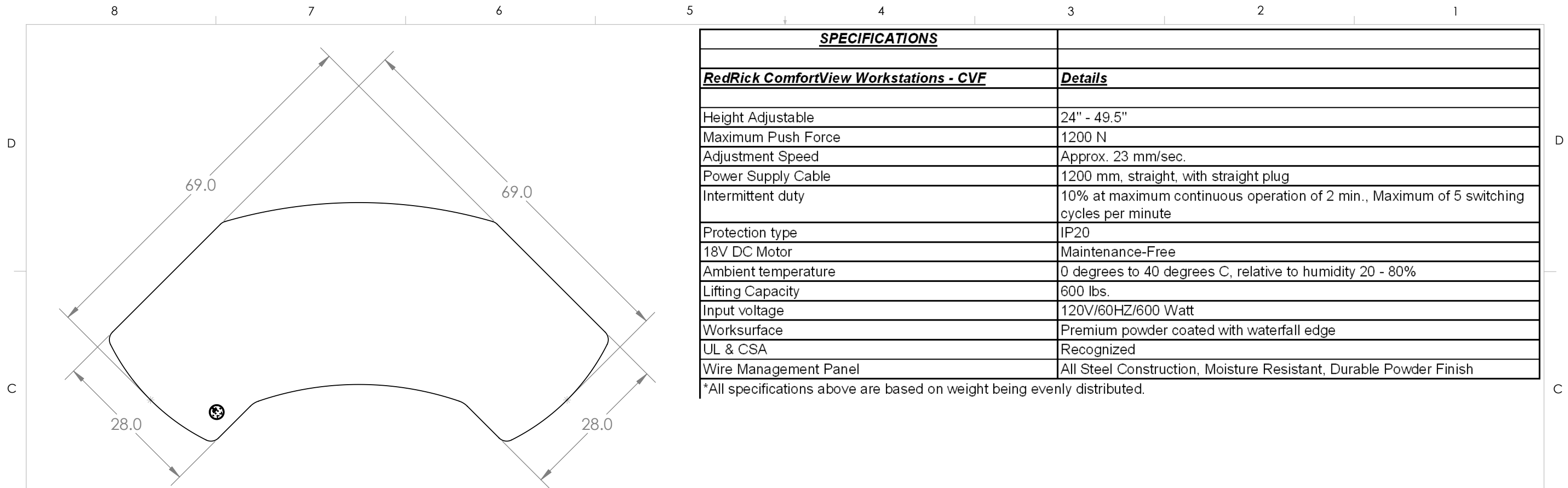
See the demonstration of the ComfortView™ M Series Monitor Mount at the following link to YouTube <https://www.youtube.com/watch?v=q7U4LCx03eY>

Pricing Starting At
Monitor Mount Included

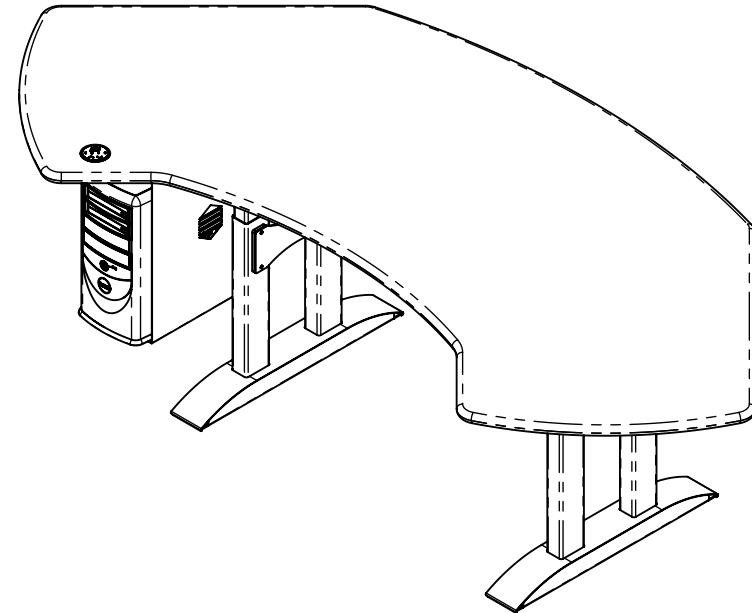
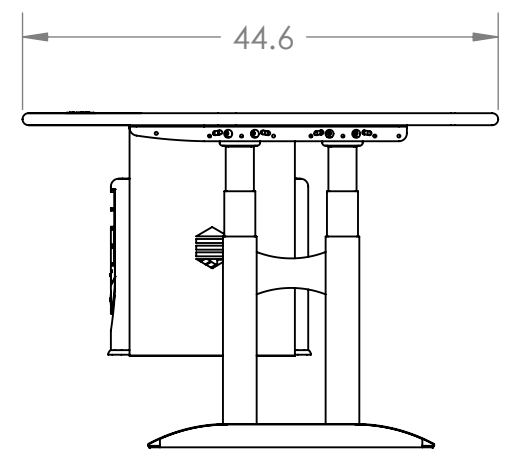
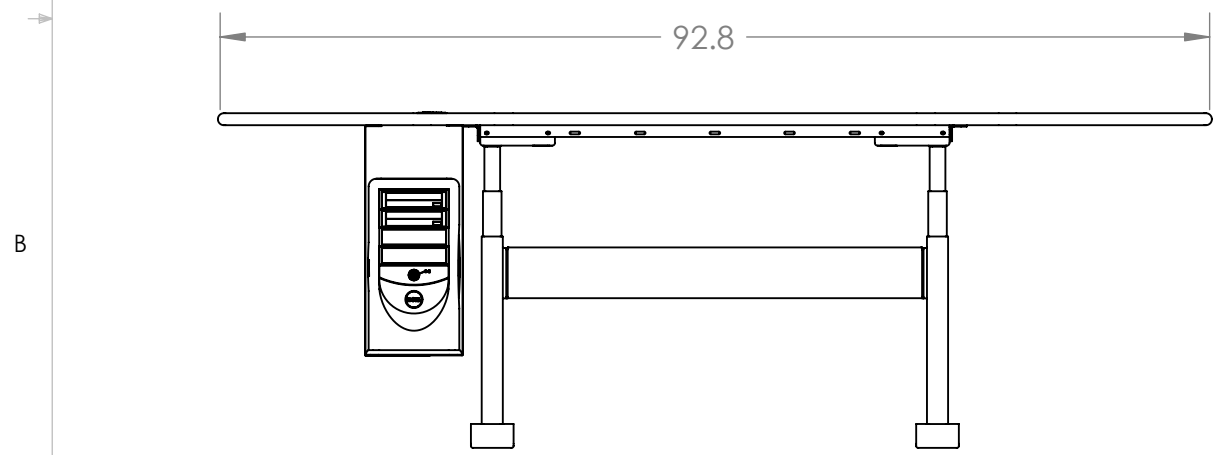
\$8,000.00

Confidential

© Redrick Technologies Inc., 2013, All Rights Reserved



SPECIFICATIONS	
RedRick ComfortView Workstations - CVF	Details
Height Adjustable	24" - 49.5"
Maximum Push Force	1200 N
Adjustment Speed	Approx. 23 mm/sec.
Power Supply Cable	1200 mm, straight, with straight plug
Intermittent duty	10% at maximum continuous operation of 2 min., Maximum of 5 switching cycles per minute
Protection type	IP20
18V DC Motor	Maintenance-Free
Ambient temperature	0 degrees to 40 degrees C, relative to humidity 20 - 80%
Lifting Capacity	600 lbs.
Input voltage	120V/60HZ/600 Watt
Worksurface	Premium powder coated with waterfall edge
UL & CSA	Recognized
Wire Management Panel	All Steel Construction, Moisture Resistant, Durable Powder Finish
*All specifications above are based on weight being evenly distributed.	



<p>PROPRIETARY AND CONFIDENTIAL THE INFORMATION CONTAINED IN THIS DRAWING IS THE SOLE PROPERTY OF <INSERT COMPANY NAME HERE>. ANY REPRODUCTION IN PART OR AS A WHOLE WITHOUT THE WRITTEN PERMISSION OF <INSERT COMPANY NAME HERE> IS PROHIBITED.</p>			UNLESS OTHERWISE SPECIFIED:			<p>REDRICK Technologies Inc.</p> <p>TITLE: CORNER WORKSTATION</p> <p>SIZE B DWG. NO. CVF-BW-R-6969 REV</p> <p>SCALE: 1:18 WEIGHT: SHEET 1 OF 1 11646</p>	
			DIMENSIONS ARE IN INCHES	DRAWN	NAME		DATE
			TOLERANCES:	CHECKED			
			FRACTIONAL ±	ENG APPR.			
			ANGULAR: MACH ± BEND ±	MFG APPR.			
		TWO PLACE DECIMAL ±	Q.A.				
		THREE PLACE DECIMAL ±	COMMENTS:				
		INTERPRET GEOMETRIC TOLERANCING PER:					
		MATERIAL					
		FINISH					
		DO NOT SCALE DRAWING					
	NEXT ASSY	USED ON					
	APPLICATION						

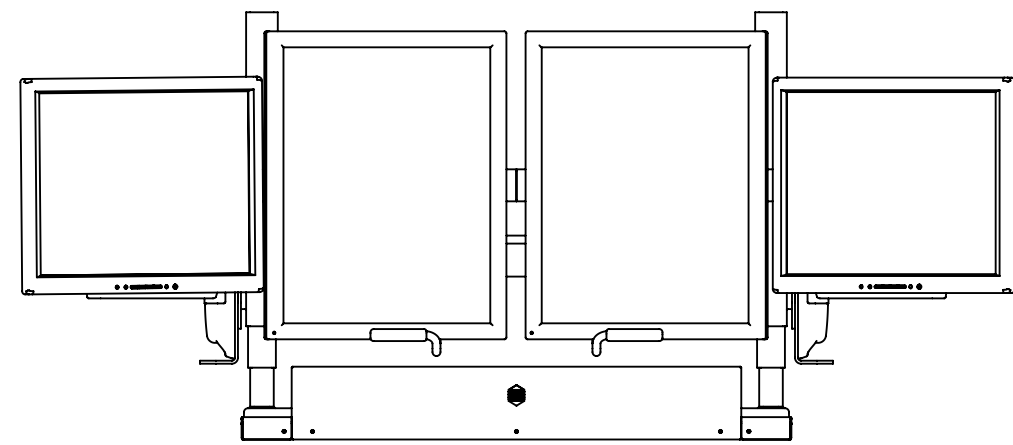
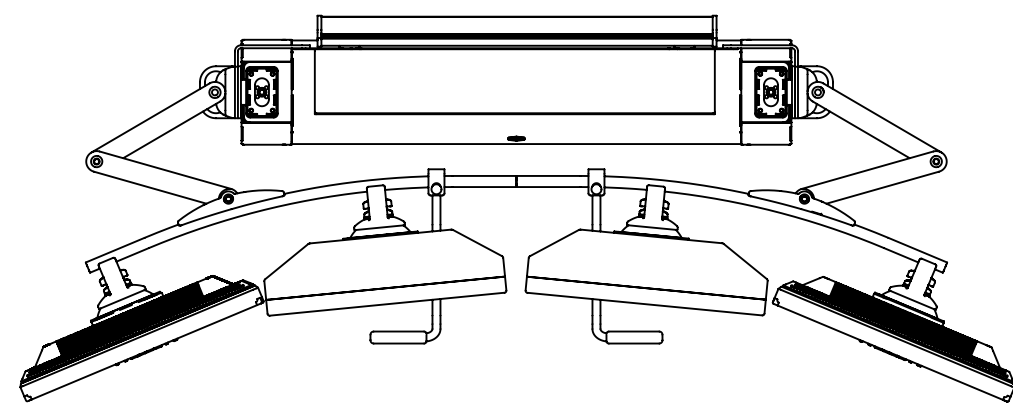
8 7 6 5 4 3 2 1

D

C

B

A



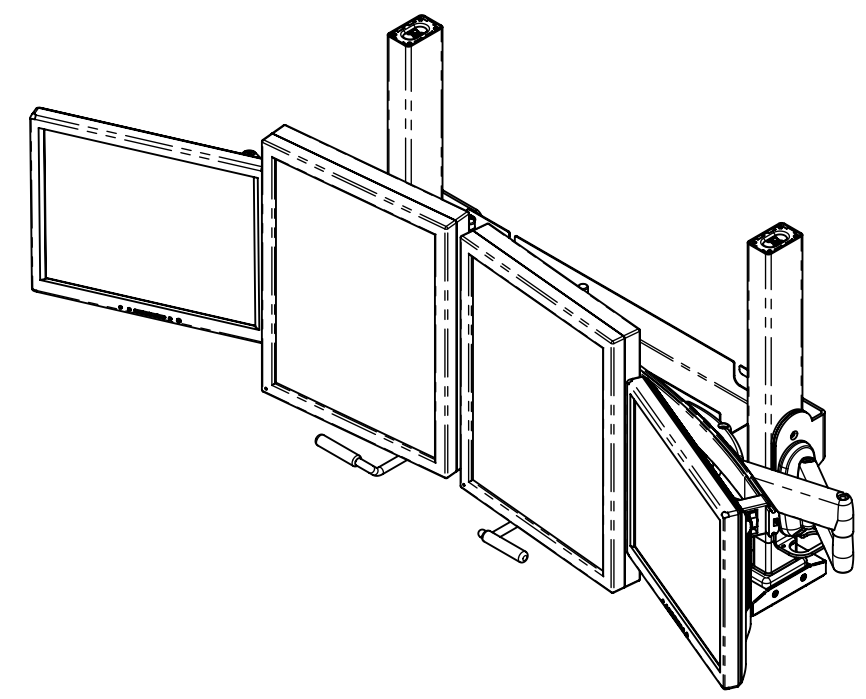
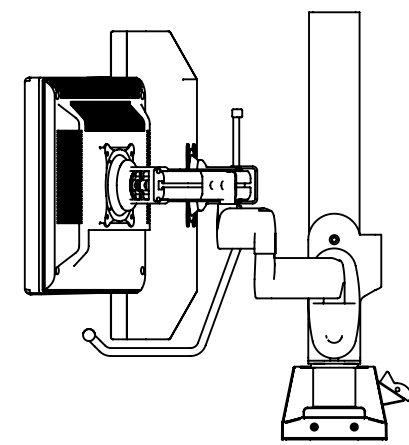
CVM Motorized Monitor Mounting Solution	Details
Motorized Height Adjustment	12"
Lifting Capacity	120 lbs.
Manual Focal Adjustment	12"
Tilt	Negative 15 through Positive 15 degrees
Rotation	45 degrees - left/right
Intermittent duty	10% at maximum continuous operation 2 min., maximum of 5 swithcing cycles per minute
18V DC motor	Maintenance Free
Protection Type	IP 20, IPX4
Protection Class	III
Ambient temperature	0 degrees C to 40 degrees C, relative humidity 20-80%
Input voltage	120V/60HZ/400 Watt
UL & CSA	Recognized

D

C

B

A



PROPRIETARY AND CONFIDENTIAL
 THE INFORMATION CONTAINED IN THIS DRAWING IS THE SOLE PROPERTY OF <INSERT COMPANY NAME HERE>. ANY REPRODUCTION IN PART OR AS A WHOLE WITHOUT THE WRITTEN PERMISSION OF <INSERT COMPANY NAME HERE> IS PROHIBITED.

		UNLESS OTHERWISE SPECIFIED:		NAME		DATE		REDRICK Technologies Inc. TITLE: <h1>CVM-QUAD</h1>	
		DIMENSIONS ARE IN INCHES TOLERANCES: FRACTIONAL ± ANGULAR: MACH ± BEND ± TWO PLACE DECIMAL ± THREE PLACE DECIMAL ±		DRAWN					
				CHECKED				SIZE B DWG. NO. CVM-QUAD REV SCALE: 1:12 WEIGHT: SHEET 1 OF 1	
				ENG APPR.					
				MFG APPR.				Q.A. COMMENTS:	
				FINISH					
				DO NOT SCALE DRAWING					
NEXT ASSY	USED ON								
APPLICATION									

8 7 6 5 4 3 2 1